

# Pressure reducing valve, pilot-operated

## Type Z3DR

**RE 26874**

Edition: 2016-10



H8078

- ▶ Size 10
- ▶ Component series 1X
- ▶ Maximum operating pressure 350 bar
- ▶ Flow 120 l/min

### Features

- ▶ Sandwich plate valve
- ▶ Porting pattern according to ISO 4401-05-04-0-05 (standard version) or ISO 4401-05-05-0-05 (version "SO30")
- ▶ 4 pressure ratings, optional
- ▶ 2 adjustment types, optionally:
  - Spindle with internal hexagon and protective cap
  - Lockable rotary knob with scale
- ▶ Corrosion-protected design

### Contents

Features	1
Contents	1
Ordering code	2
Symbols	3
Function, section	3
Technical data	4
Characteristic curves	5, 6
Dimensions	7, 8
Accessories	9
Further information	9

**Ordering code**

01	02	03	04	05	06	07	08	09	10	11	12	13
<b>Z</b>	<b>3</b>	<b>DR</b>	<b>10</b>	<b>V</b>			<b>- 1X</b>	<b>/</b>				

01	Sandwich plate valve	<b>Z</b>
02	3-way version	<b>3</b>
03	Pressure reducing valve	<b>DR</b>
04	Size 10	<b>10</b>
05	Pilot-operated	<b>V</b>

**Pressure reduction**

06	In channel P <sup>①</sup>	<b>P</b>
	In channel A <sup>②</sup>	<b>A<sup>1)</sup></b>
	In channel B <sup>②</sup>	<b>B<sup>1)</sup></b>

**Adjustment type**

07	Spindle with internal hexagon and protective cap ("J3" version without protective cap)	<b>2</b>
	Lockable rotary knob with scale <sup>2)</sup>	<b>3</b>
08	Component series 10 ... 19 (10 ... 19: unchanged installation and connection dimensions)	<b>1X</b>

**Pressure rating**

09	Set pressure up to 50 bar	<b>50</b>
	Set pressure up to 100 bar	<b>100</b>
	Set pressure up to 200 bar	<b>200</b>
	Set pressure up to 315 bar	<b>315</b>

**Pressure measuring port G1/4**

10	<b>Without</b> pressure measuring port	<b>no code</b>
	<b>With</b> pressure measuring port (secondary pressure)	<b>MS</b>

**Corrosion resistance**

11	None	<b>no code</b>
	Improved corrosion protection (240 h salt spray test according to EN ISO 9227); (only version "2")	<b>J3</b>

**Seal material**

12	NBR seals	<b>no code</b>
	FKM seals	<b>V</b>
	Observe compatibility of seals with hydraulic fluid used.	

**Pilot oil duct**

13	None	<b>no code</b>
	Via channel X and Y	<b>SO30</b>

<sup>1)</sup> Available from 03/2017.

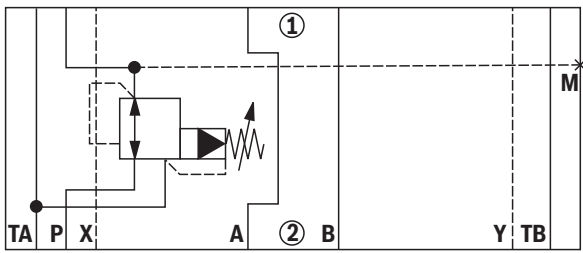
<sup>2)</sup> H-key with material no. **R900008158** is included in the scope of delivery.

**Notes:**

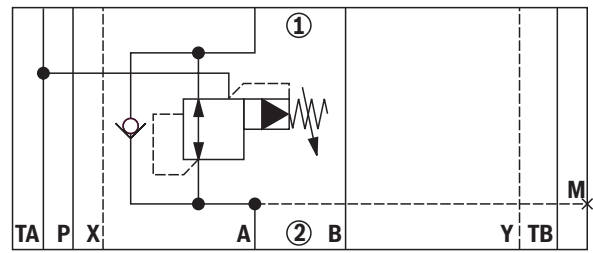
- ▶ For valve types for use in potentially explosive areas, refer to data sheet 07011.
- ▶ Preferred types and standard units are specified in the EPS (standard price list).

**Symbols** (① = component side, ② = plate side)

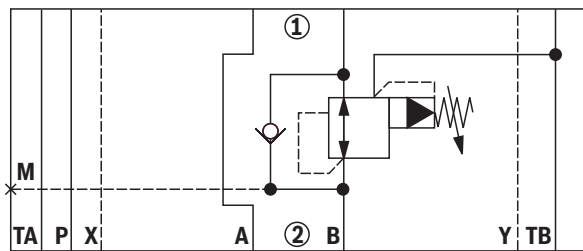
Version "P...MS..SO30"



Version "A...MS..SO30"



Version "B...MS..SO30"



**Notice:**

- ▶ Deviating from ISO 4401, port T is called TA and port T1 is called TB in this data sheet.
- ▶ Version "MS" is shown. With the standard version, port M is omitted.
- ▶ Version "SO30" is shown. The standard version does not have ports X and Y.

**Function, section**

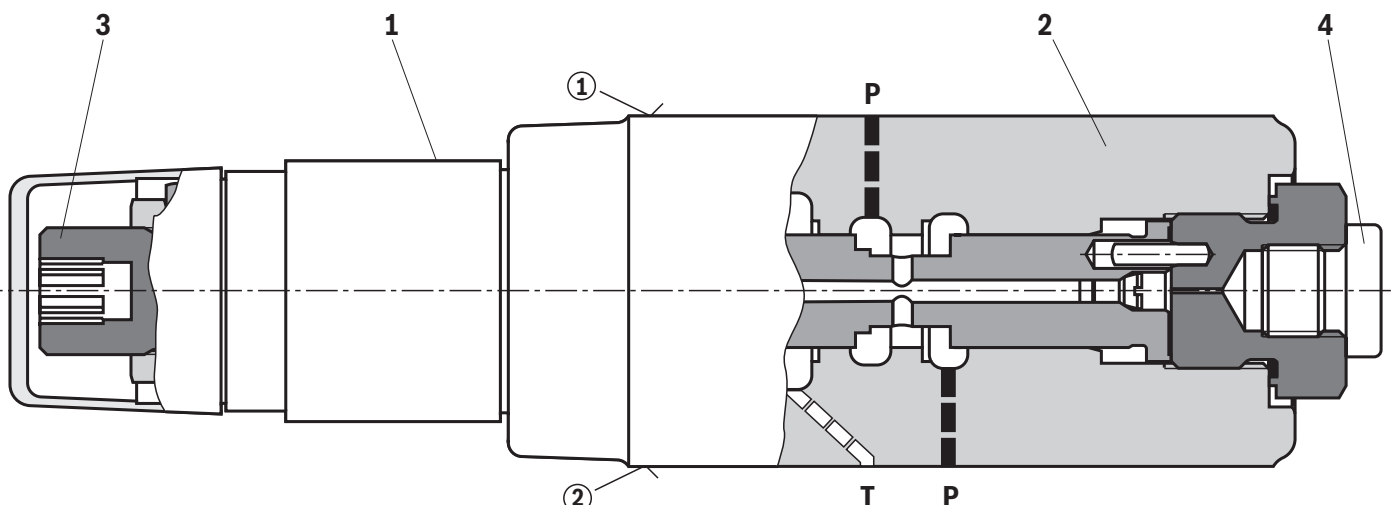
Valves of type Z3DR are pilot-operated 3-way pressure reducing valves with pressure limitation of the actuator in sandwich plate design. They serve for reduction and control of the system pressure.

The valves basically consist of pilot control valve (1) and housing (2) including main stage. The secondary pressure is set via the adjustment type (3).

Rexroth pilot-operated pressure reducing valves feature high stability and low hysteresis.

Version "MS" enables measurement and monitoring of the set secondary pressure via a pressure load cell at the measuring port (4) (refer to page 7 and 8).

If the secondary pressure at actuator port P (A②, B②) further exceeds the set value, the third line to tank port TA (TB) is opened by the valve. In this way, the actuator channel is protected against inadmissible pressure rise.



Type Z3DR 10 VP...

① = component side  
② = plate side

**Technical data**

(For applications outside these parameters, please consult us!)

<b>general</b>			
Weight	► Version "2"	kg	2.7
	► Version "3"	kg	2.8
Installation position			Any
Ambient temperature range			°C -20 ... +80
MTTF <sub>d</sub> values according to EN ISO 13849			Years 75 (for further details see data sheet 08012)

<b>hydraulic</b>			
Maximum operating pressure	► Port A, B, P	bar	350
Return flow pressure	► Port T	bar	160 (ideally depressurized to the tank) <sup>1)</sup>
Maximum set pressure	► Version "50"	bar	50
	► Version "100"	bar	100
	► Version "200"	bar	200
	► Version "315"	bar	315
Minimum adjustable secondary pressure		bar	12
Maximum flow		l/min	120 (recommended)
Hydraulic fluid		See table below	
Hydraulic fluid temperature range		°C	-20 ... +80
Viscosity range		mm <sup>2</sup> /s	10 ... 500 (preferably 50 ... 120)
Maximum admissible degree of contamination of the hydraulic fluid cleanliness class according to ISO 4406 (c)			Class 20/18/15 <sup>2)</sup>

Hydraulic fluid	Classification	Suitable sealing materials	Standards	Data sheet
Mineral oils	HL, HLP	NBR, FKM	DIN 51524	90220
Bio-degradable <sup>3)</sup>	► Insoluble in water	HETG	ISO 15380	90221
		HEES		
	► Soluble in water	HEPG	ISO 15380	
Flame-resistant	► Water-free	HFDU (glycol base)	ISO 12922	90222
		HFDU (ester base) <sup>3)</sup>		
	► Containing water	HFC (Fuchs Hydrotherm 46M, Petrofer Ultra Safe 620)	NBR	ISO 12922

**Important information on hydraulic fluids:**

- For more information and data on the use of other hydraulic fluids, please refer to the data sheets above or contact us.
- There may be limitations regarding the technical valve data (temperature, pressure range, life cycle, maintenance intervals, etc.).
- The ignition temperature of the hydraulic fluid used must be 50 K higher than the maximum surface temperature.

**► Flame-resistant – containing water:**

- Maximum pressure differential (operating/secondary pressure) 210 bar, otherwise, increased cavitation erosion
- Life cycle as compared to operation with mineral oil HL, HLP 30 ... 100%
- Maximum hydraulic fluid temperature 60 °C

- **Bio-degradable and flame-resistant:** If this hydraulic fluid is used, small amounts of dissolved zinc may get into the hydraulic system.

<sup>1)</sup> Counter pressure adds to the set pressure.

<sup>2)</sup> The cleanliness classes specified for the components must be adhered to in hydraulic systems. Effective filtration prevents faults and simultaneously increases the life cycle of the components.

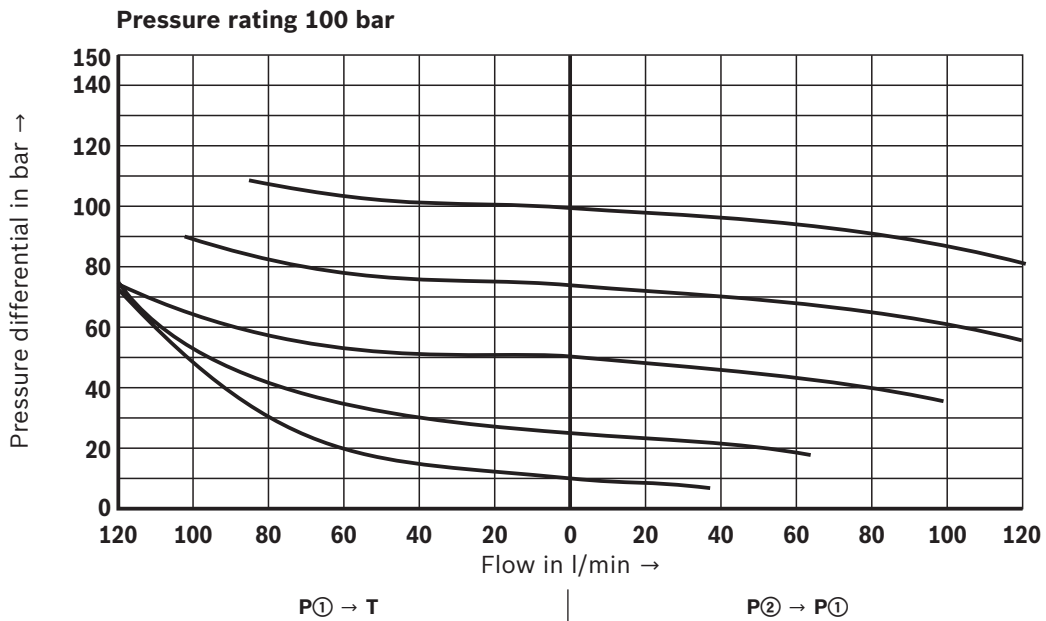
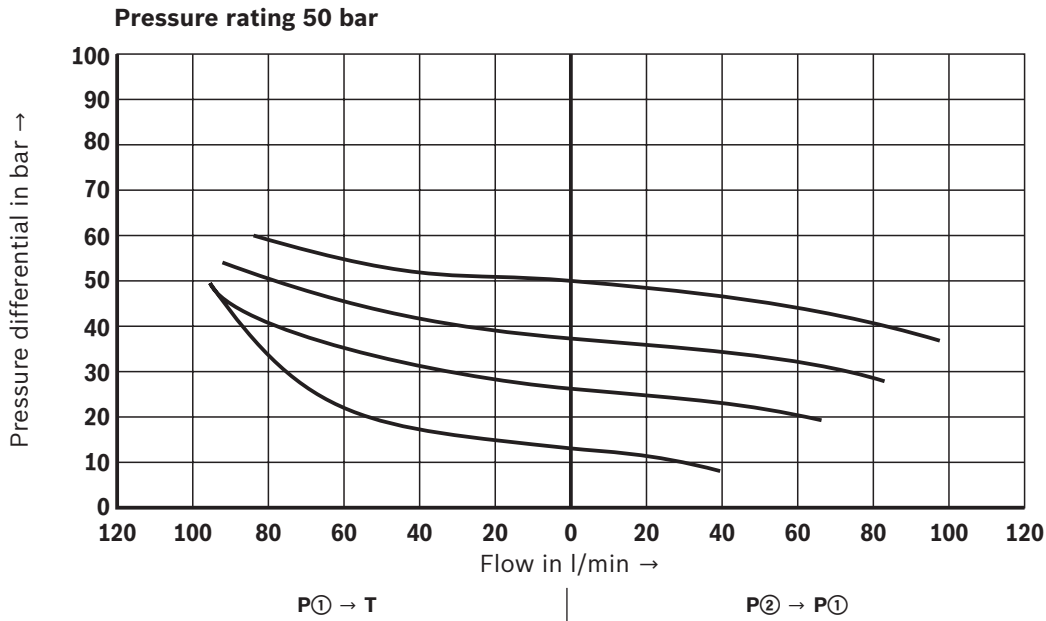
Available filters can be found at [www.boschrexroth.com/filter](http://www.boschrexroth.com/filter).

<sup>3)</sup> Not recommended for corrosion-protected version "J3"

### Characteristic curves

(measured with HLP46,  $\vartheta_{oil} = 40 \pm 5 \text{ }^\circ\text{C}$ )

#### $p$ - $q_V$ characteristic curves

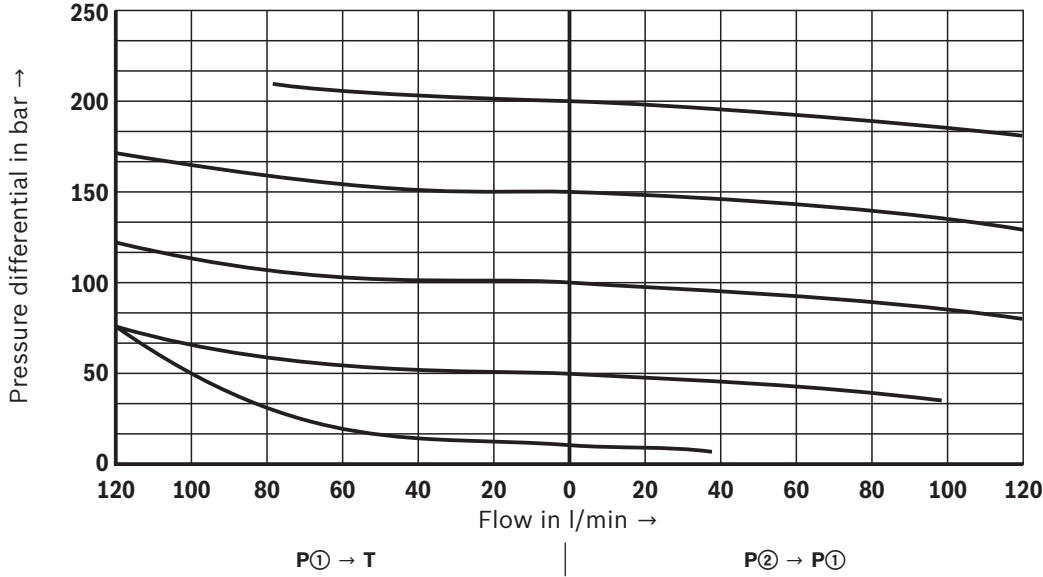


**Characteristic curves**

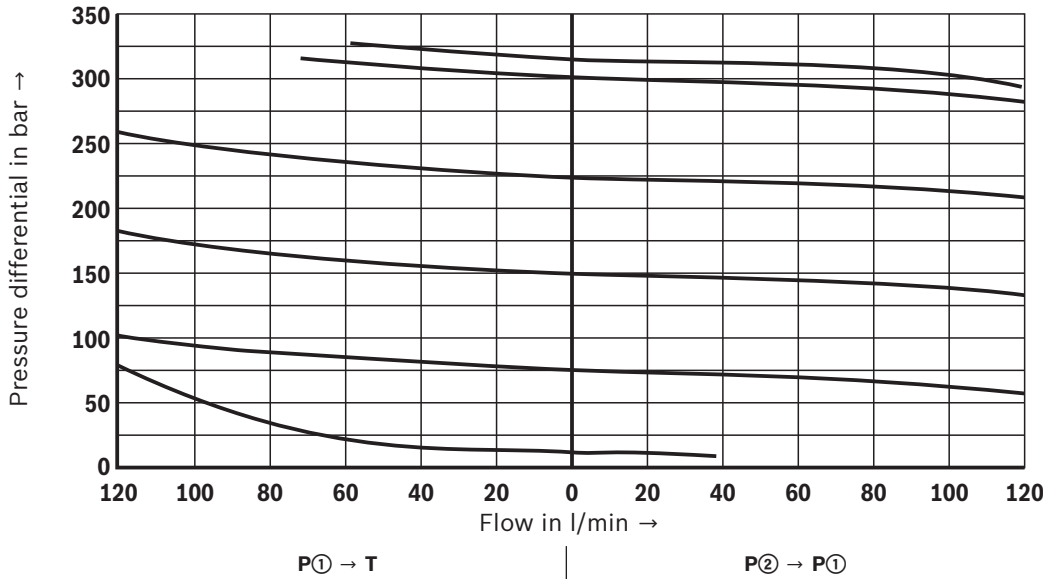
(measured with HLP46,  $\vartheta_{oil} = 40 \pm 5 \text{ }^\circ\text{C}$ )

**p-q<sub>v</sub> characteristic curves**

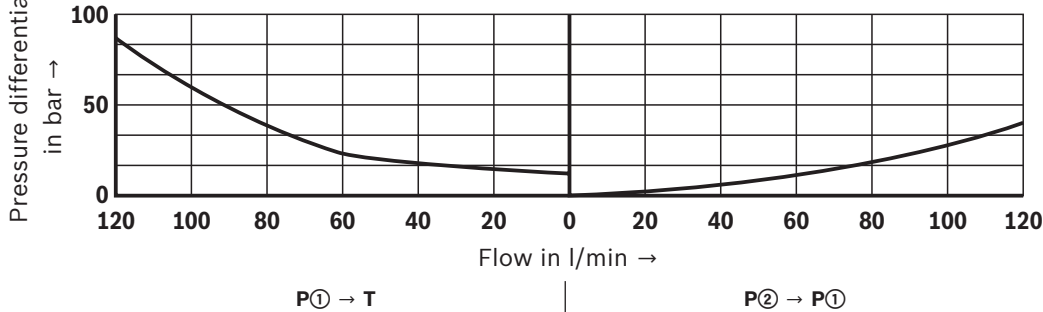
**Pressure rating 200 bar**



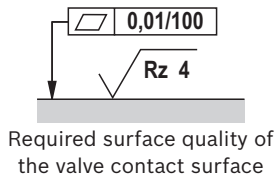
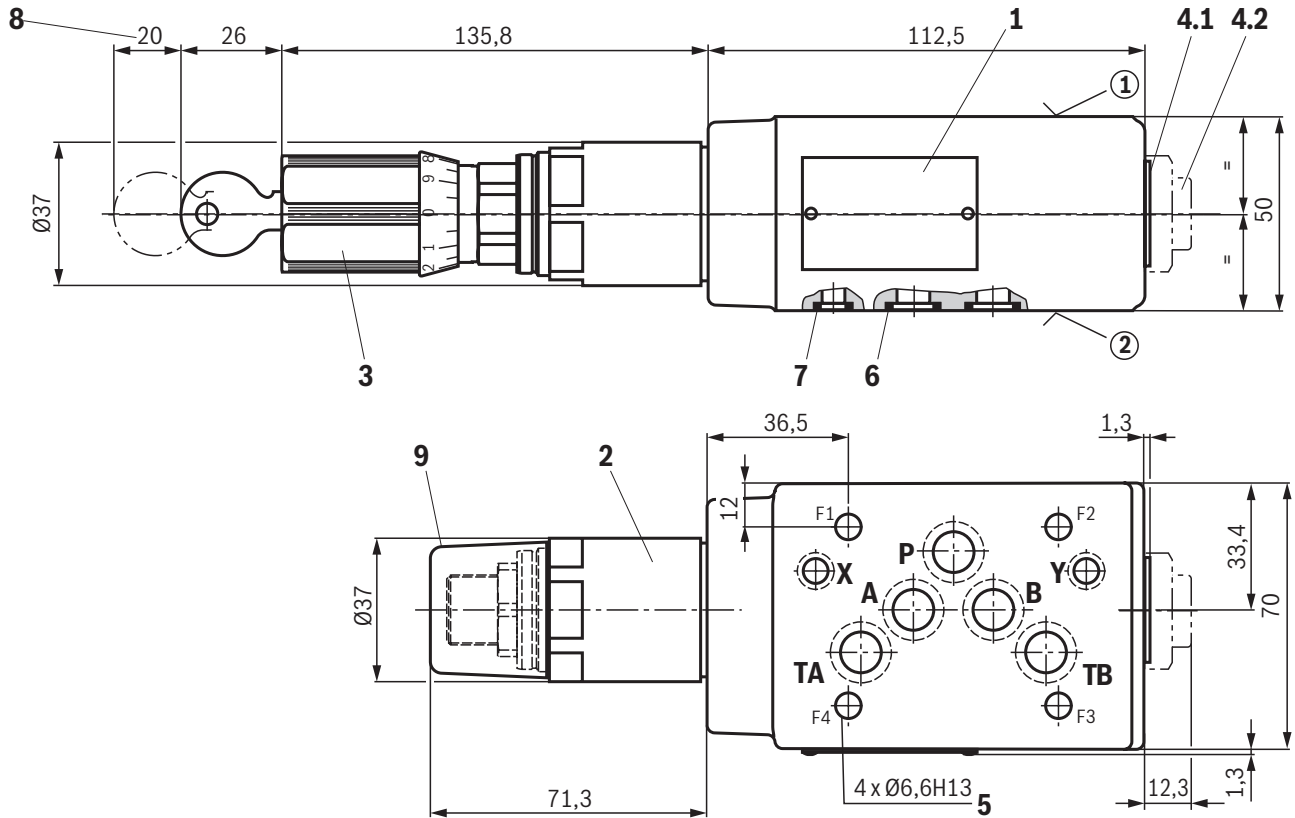
**Pressure rating 315 bar**



**Δp-q<sub>v</sub> characteristic curves**



**Dimensions:** Version "P" and "A"  
(dimensions in mm)



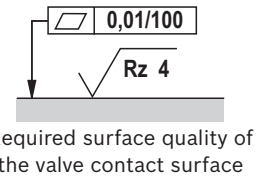
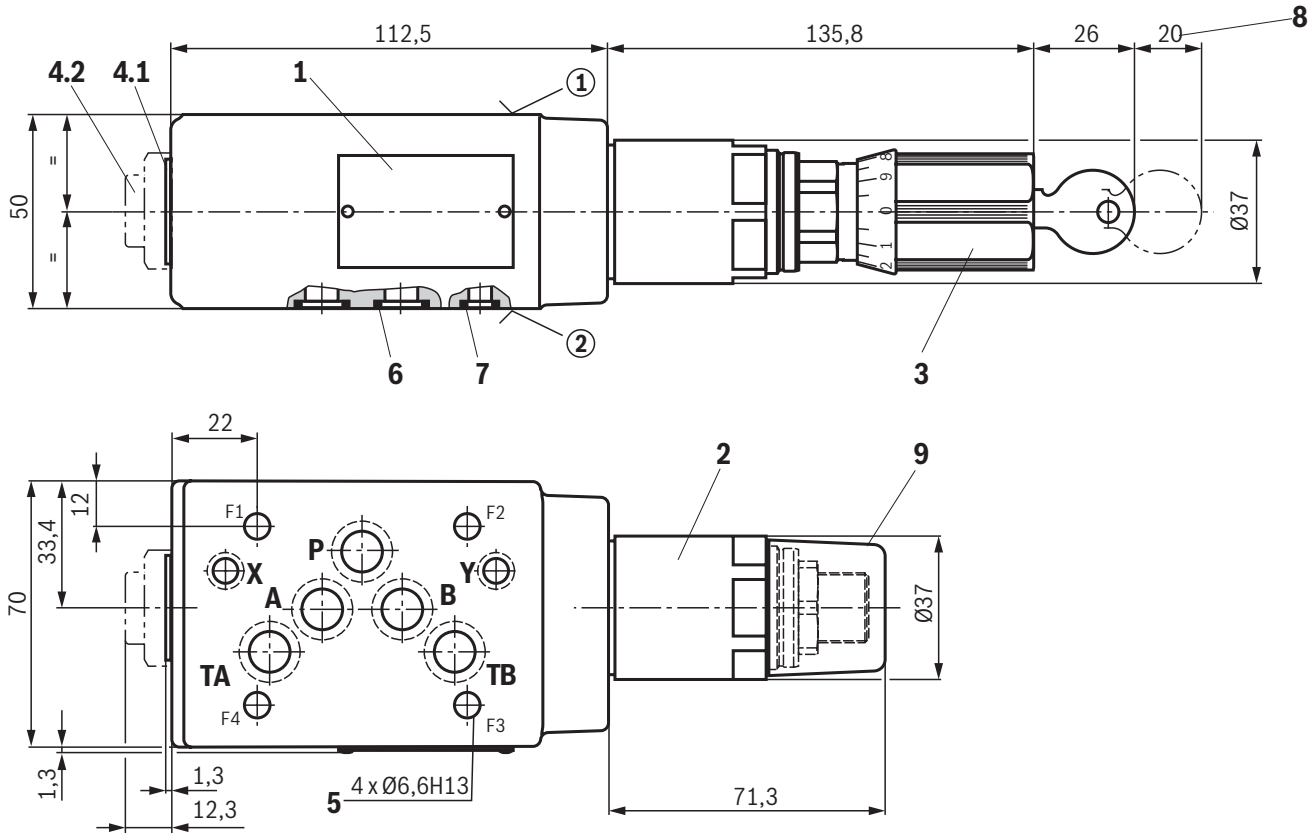
- ① component side – Porting pattern according to ISO 4401-05-04-0-05 (standard version) or ISO 4401-05-05-0-05 ("SO30" version)
- ② plate side – Porting pattern according to ISO 4401-05-04-0-05 (standard version) or ISO 4401-05-05-0-05 ("SO30" version)
- 1 Name plate
- 2 Adjustment type "2" (spindle with SW8 internal hexagon and SW24 lock nut)
- 3 Adjustment type "3"
- 4.1 Without measuring port (standard)
- 4.2 Measuring port (version "MS"); when loosening the plug screw (SW6 internal hexagon, tightening torque  $M_A = 30 \text{ Nm} \pm 10 \%$ ), hold the SW27 reducing piece in place
- 5 Valve mounting bores
- 6 Identical seal rings for ports A, B, P, T (plate side)
- 7 Identical seal rings for ports X and Y (plate side)
- 8 Space required to remove the key
- 9 Protective cap (not included with version "J3")

**Valve mounting screws** (separate order)  
**4 hexagon socket head cap screws ISO 4762 - M6 - 10.9**

**Notes:**

- ▶ Length and tightening torque of the valve mounting screws must be calculated according to the components mounted under and over the sandwich plate valve.
- ▶ Deviating from ISO 4401, port T is called TA and port T1 is called TB in this data sheet.
- ▶ The dimensions are nominal dimensions which are subject to tolerances.
- ▶ Version "SO30" is shown. The standard version does not have ports X and Y.

**Dimensions: Version "B"**  
(dimensions in mm)



- ① component side – Porting pattern according to ISO 4401-05-04-0-05 (standard version) or ISO 4401-05-05-0-05 ("SO30" version)
- ② plate side – Porting pattern according to ISO 4401-05-04-0-05 (standard version) or ISO 4401-05-05-0-05 ("SO30" version)

- 1 Name plate
- 2 Adjustment type "2" (spindle with SW8 internal hexagon and SW24 lock nut)
- 3 Adjustment type "3"
- 4.1 Without measuring port (standard)
- 4.2 Measuring port (version "MS"); when loosening the plug screw (SW6 internal hexagon, tightening torque  $M_A = 30 \text{ Nm} \pm 10 \%$ ), hold the SW27 reducing piece in place
- 5 Valve mounting bores
- 6 Identical seal rings for ports A, B, P, T (plate side)
- 7 Identical seal rings for ports X and Y (plate side)
- 8 Space required to remove the key
- 9 Protective cap (not included with version "J3")

**Valve mounting screws** (separate order)  
**4 hexagon socket head cap screws ISO 4762 - M6 - 10.9**

**Notes:**

- ▶ Length and tightening torque of the valve mounting screws must be calculated according to the components mounted under and over the sandwich plate valve.
- ▶ Deviating from ISO 4401, port T is called TA and port T1 is called TB in this data sheet.
- ▶ The dimensions are nominal dimensions which are subject to tolerances.
- ▶ Version "SO30" is shown. The standard version does not have ports X and Y.



**Accessories** (separate order)

Denomination	Material no.
Protective cap	R900135501

**Further information**

- ▶ Subplates Data sheet 45100
- ▶ Hydraulic fluids on mineral oil basis Data sheet 90220
- ▶ Environmentally compatible hydraulic fluids Data sheet 90221
- ▶ Flame-resistant, water-free hydraulic fluids Data sheet 90222
- ▶ Flame-resistant hydraulic fluids - containing water (HFAE, HFAS, HFB, HFC) Data sheet 90223
- ▶ Hydraulic valves for industrial applications Operating instructions 07600-B
- ▶ Use of non-electrical hydraulic components in an explosive environment (ATEX) Data sheet 07011
- ▶ Selection of the filters [www.boschrexroth.com/filter](http://www.boschrexroth.com/filter)
- ▶ Information on available spare parts [www.boschrexroth.com/spc](http://www.boschrexroth.com/spc)

## Notes

Bosch Rexroth AG  
Hydraulics  
Zum Eisengießer 1  
97816 Lohr am Main, Germany  
Phone +49 (0) 93 52/18-0  
documentation@boschrexroth.de  
www.boschrexroth.de

© This document, as well as the data, specifications and other information set forth in it, are the exclusive property of Bosch Rexroth AG. It may not be reproduced or given to third parties without its consent.  
The data specified above only serve to describe the product. No statements concerning a certain condition or suitability for a certain application can be derived from our information. The information given does not release the user from the obligation of own judgment and verification. It must be remembered that our products are subject to a natural process of wear and aging.

## Notes

Bosch Rexroth AG  
Hydraulics  
Zum Eisengießer 1  
97816 Lohr am Main, Germany  
Phone +49 (0) 93 52/18-0  
documentation@boschrexroth.de  
www.boschrexroth.de

© This document, as well as the data, specifications and other information set forth in it, are the exclusive property of Bosch Rexroth AG. It may not be reproduced or given to third parties without its consent.  
The data specified above only serve to describe the product. No statements concerning a certain condition or suitability for a certain application can be derived from our information. The information given does not release the user from the obligation of own judgment and verification. It must be remembered that our products are subject to a natural process of wear and aging.

## Notes

Bosch Rexroth AG  
Hydraulics  
Zum Eisengießer 1  
97816 Lohr am Main, Germany  
Phone +49 (0) 93 52/18-0  
documentation@boschrexroth.de  
www.boschrexroth.de

© This document, as well as the data, specifications and other information set forth in it, are the exclusive property of Bosch Rexroth AG. It may not be reproduced or given to third parties without its consent.  
The data specified above only serve to describe the product. No statements concerning a certain condition or suitability for a certain application can be derived from our information. The information given does not release the user from the obligation of own judgment and verification. It must be remembered that our products are subject to a natural process of wear and aging.