



4/3, 4/2 and 3/2 Directional Valve with Wet-pin AC or DC Solenoid

2.12

Type WE 6...L6X

Size (NG) 6
Up to 350 bar
Up to 80L/min



Contents

Function and configurations	02
Ordering code	03
Symbols	04
Characteristic curves	04
Technical data	05
Electric data	05
Performance limits	06-07
Unit dimensions	08-09

Features

- Direct operated directional solenoid valve, standard version
- Porting pattern according to DIN 24 340 form A, ISO 4401 and CETOP-RP 121 H
- Wet-pin AC or DC solenoids with detachable coil
- Pressure-tight chamber needs not to be opened for a coil change
- Electrical connection as individual or central connection

Function and configurations

Type WE valves are solenoid operated directional spool valves. They control the start, stop and direction of flow.

The directional control valves consist of housing (1), one or two solenoids (2), the control spool (3), and one or two return springs (4).

In the de-energized condition the control spool (3) is held in the neutral or initial position by means of return springs (4) (except for impulse spools). The control spool (3) is actuated via wet pin solenoids (2).

To ensure proper operation, care must be taken that the pressure chamber of the solenoid is filled with oil.

The control spool(3) is moved to the expected position by solenoid(2) and pushing rod(5). This gives free-flow from P to A and B to T or P to B and A to T.

When solenoid (2) is de-energized, the control spool (3) is returned to its initial position by means of the return springs (4).

The solenoids may also control the control spool (3) by an optional override button(6) under the de-energized condition.

Type 4WE 6.. L6X/O...

(only for symbols A, C and D)

This version refers to directional valves with two spool positions and two solenoids without detent. In the de-energized condition, there is no defined spool position.

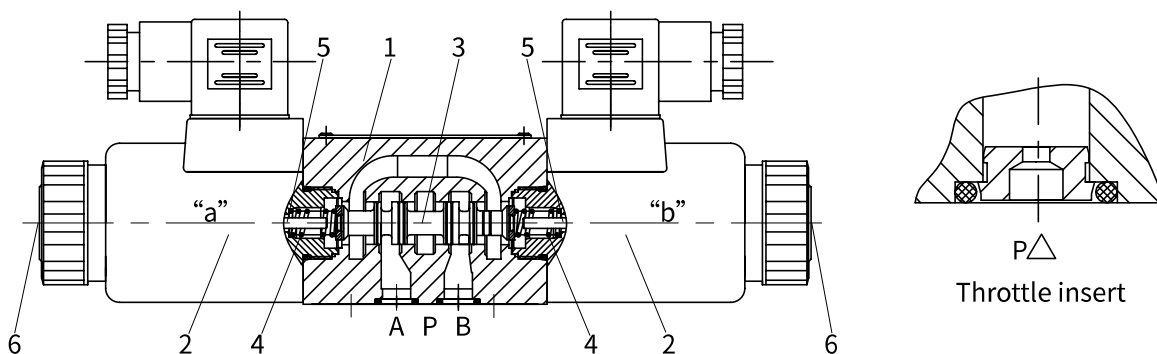
Type 4WE 6.. L6X/OF...

(impulse spool, only for symbols A, C and D)

This version refers to directional valves with two spool positions, two solenoids and a detent. Due to this, both spool positions are positively held, and a permanent energization of the solenoid is not required.

Throttle insert (type 4WE 6..L6X/.../B..)

The use of throttle inserts is required, due to prevailing operating conditions, flows can occur during switching processes that exceed the performance limit of the valve. They are inserted in the P-channel of the directional valve.



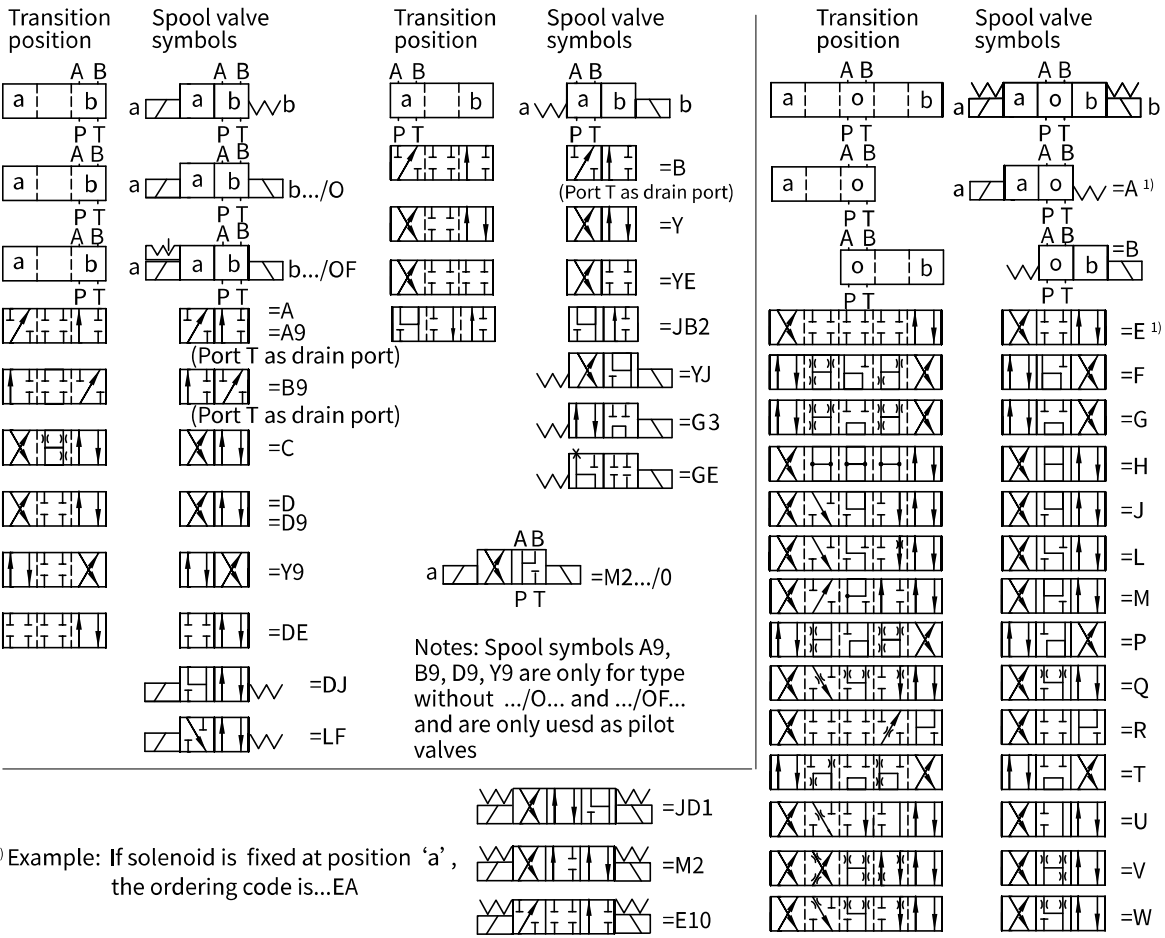
Ordering code

	WE	6	L6X	/				/			*
3 ways (For spool A and B)	= 3										Further details in clear text
4 ways	= 4										
Directional valve with wet pin solenoids											No code=Without locating hole /60= With locating hole /62=With locating pin hole ISO 8752-3×8-St
Nominal size 6	=6										No code = NBR seals V = FKM seals
Symbols e.g. C, E etc.											
Series L60 to L69 (L60 to L69: unchanged installation and connection dimensions)	=L6X										No code = Without throttle insert B08 = Throttle Φ0.8 mm B10 = Throttle Φ1.0 mm B12 = Throttle Φ1.2 mm B15 = Throttle Φ1.5mm B20 = Throttle Φ2.0 mm B25 = Throttle Φ2.5 mm B30 = Throttle Φ3.0 mm
With spring return	= No code										Z4 = square plugs (not applicable for the integer)
Without spring return	=O										Z5L = square plugs with lamps
Without spring return, and with detent	=OF										Z5L2 = With light and protect the diodes
Standard solenoid	=E										K4 = DIN4365 sockets without plugs
Large-scope solenoid (Only for 12V and 24V)	=N										K7 = Deutsch connector assembly, without plugs ¹⁾
24V DC	=G24										DL = Central connection with LED lamp (M22×1.5 interface)
220V AC 50/60 Hz	=W220										
Plug rectification 220V	=W220R										
110V AC 50/60 Hz	=W110										
Other voltage see technical data											
With manual override button	= N										

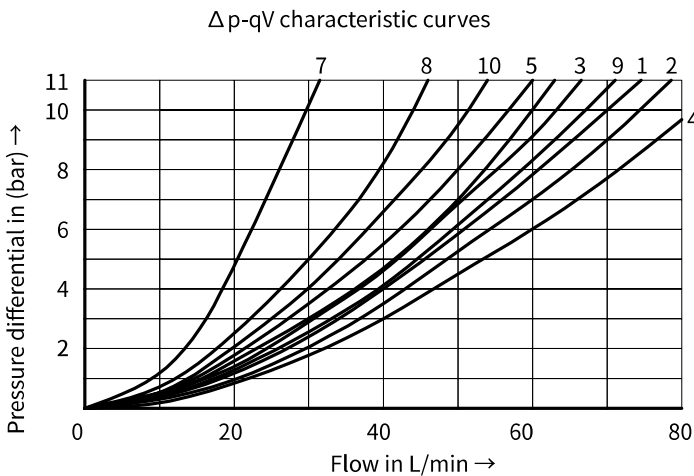
02

Note:
1) K7 Deutsch connector assembly
Only for 12V and 24V.

Symbols



Characteristic curves (Measured at $\vartheta_{oil}=40^{\circ}C \pm 5^{\circ}C$, using HLP46)



- 7 Symbol "R" in switched positions B → A
- 8 Symbol "G" and "T" in neutral position P → T
- 9 Symbol "H" in neutral position P → T

Spool symbol	Flow direction			
	P to A	P to B	A to T	B to T
A, B	3	3	-	-
C	1	1	3	1
D, Y	5	5	3	3
E	3	3	1	1
F	1	3	1	1
T	10	10	9	9
H	2	4	2	2
J, Q	1	1	2	1
L	3	3	4	9
M	2	4	3	3
P	3	1	1	1
R	5	5	4	-
V	1	2	1	1
W	1	1	2	2
U	3	3	9	4
G	6	6	9	9

Technical data

Fixing position		Optional	
Environment temperature range		°C	-30 to +50 (NBR seal)
			-20 to +50 (FKM seal)
Weight	Single solenoid	kg	1.5
	Double solenoids	kg	2.0
Max. operating pressure	Port A,B,P	bar	350
	Port T	bar	210 (DC), 160 (AC), when the operating pressure exceed the permission value, port T must be used as drain port for spool symbol A and B
Max. flow-rate		L/min	80 (DC), 60 (AC)
Flow cross section (switching neutral position)		mm ²	for symbol Q 6% of nominal cross section
		mm ²	for symbol W 3% of nominal cross section
Fluid		Mineral oil suitable for NBR and FKM seal	
		Phosphate ester for FKM seal	
Fluid temperature range		°C	-30 to +80 (NBR seal)
			-20 to +80 (FKM seal)
Viscosity range		mm ² /s	2.8 to 500
Degree of contamination		Maximum permissible degree of fluid contamination: Class 9. NAS 1638 or 20/18/15, ISO4406	

02

Electric data

Type of voltage		DC	AC
Usable voltage	V	12,24,28 ¹⁾ ,48,96,110,205,220	110, 127, 220
Permissible voltage (deviation)	%	Standard solenoid: +10 ~ -15 Large-scope solenoid: +20~-30	
Power consumption	W	Standard solenoid: 30 Large-scope solenoid: 32	
Holding power	VA	-	50
Making capacity	VA	-	220
Duty		Continuous working	
Switching time to ISO 6403	ON	ms	25 to 45
	OFF	ms	10 to 25
Switched frequency	times/h	to 15000	to 7200
Type of protection to DIN 40050		IP65(Z4, Z5L plug), IP67 (K7 Deutsch)	
Max. coils temperature	°C	+150	+180

Caution: When connecting wires, properly connect the PE conductor (PE \perp).

(For other type voltage please consult us.)

Performance limits (Measured at $\vartheta_{oil}=40^{\circ}C \pm 5^{\circ}C$, using HLP46)

The specified switching performance limits are valid with two directions of flow (e.g. from P to A and simultaneous return flow from B to T).

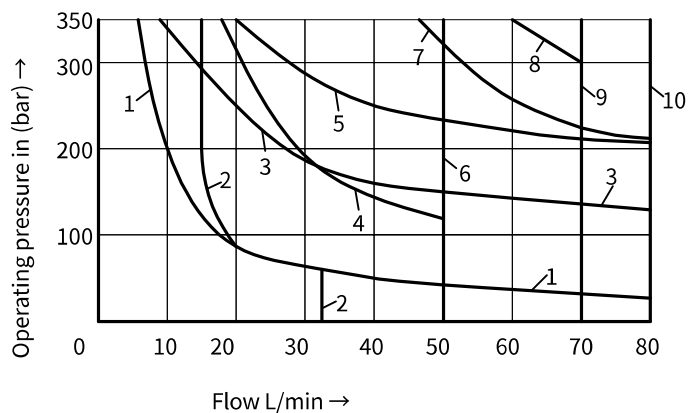
Due to the flow forces acting within the valve, the permissible switching performance limit can be significantly lower with only one direction of flow (e.g. from P to A, with port B being closed)!

The switching performance limit was determined with the solenoid at operating temperature, at 15 % under-voltage and without tank pre-loading.

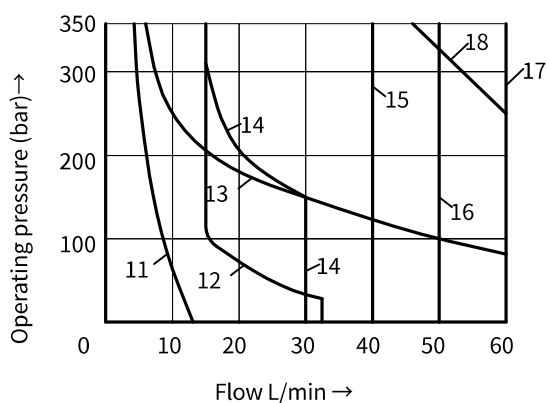
02

Solenoid DC		Solenoid AC-50Hz		Solenoid AC-60Hz	
Curve	Spool symbol	Curve	Spool symbol	Curve	Spool symbol
1	A, B ₁)	11	A, B ₁)	19	A, B ₁)
2	V	12	V	20	V
3	A, B	13	A, B	21	A, B
4	F, P	14	F, P	22	F, P
5	J	15	G, T	23	G, T
6	G, H, T	16	H	24	J, L, U
7	A/O, A/OF, L, U	17	A/O, A/OF, C/O,	25	A/O, A/OF, Q, W
8	C, D, Y		C/OF, D/O, D/OF	26	C, D, Y
9	M		E, J, L, M	27	H
10	E, R ₂), C/O, C/OF	18	Q, R ₂), U, W	28	C/O, C/OF, D/O
	D/O, D/OF, Q, W		C, D, Y		D/OF, M, R, E, R ₂)

Notes: ¹⁾ With manual override; ²⁾ Return flow from actuator to tank.

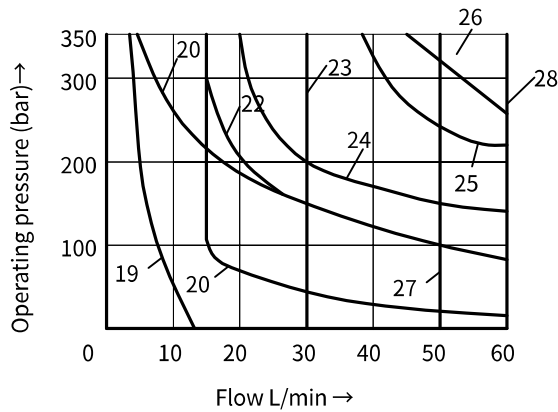


Solenoid DC	
Curve	Solenoid voltage(V)
1 to 10	12, 24, 48, 96, 205

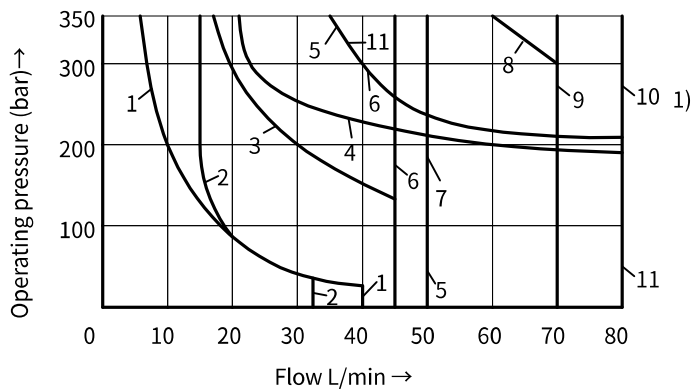


Solenoid AC		
Curve	Solenoid voltage	
11 to 18	W110	110V, 50Hz
	W127	127V, 50Hz
	W230	230V, 50Hz

Performance limits (Measured at $\vartheta_{oil}=40^{\circ}C \pm 5^{\circ}C$, using HLP46)

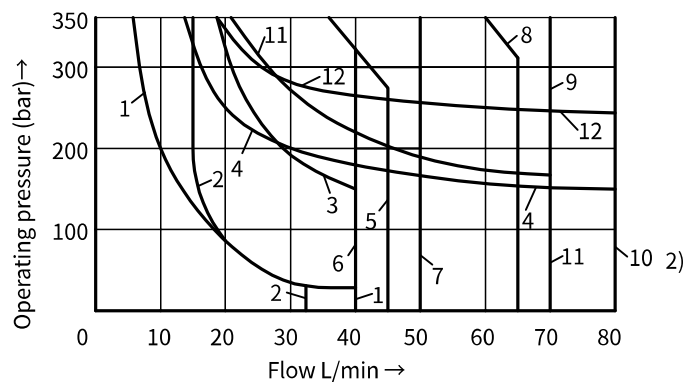


Solenoid AC		
Curve	Solenoid voltage	
19 to 28	W110	110V, 60Hz
	W230	230V, 60Hz



Solenoid DC	
Curve	Solenoid voltage
1 to 10 ₁₎	110, 180

Curve	Spool symbol	Curve	Spool symbol	Curve	Spool symbol
1	A,B	6	T	10 ₁₎	E, R, C/O, C/OF, D/O, D/OF, Q, W
2	V	7	H		
3	F, P	8	C,D		
4	J, L, U	9	M	11	A/O, A/OF
5	G			12	E



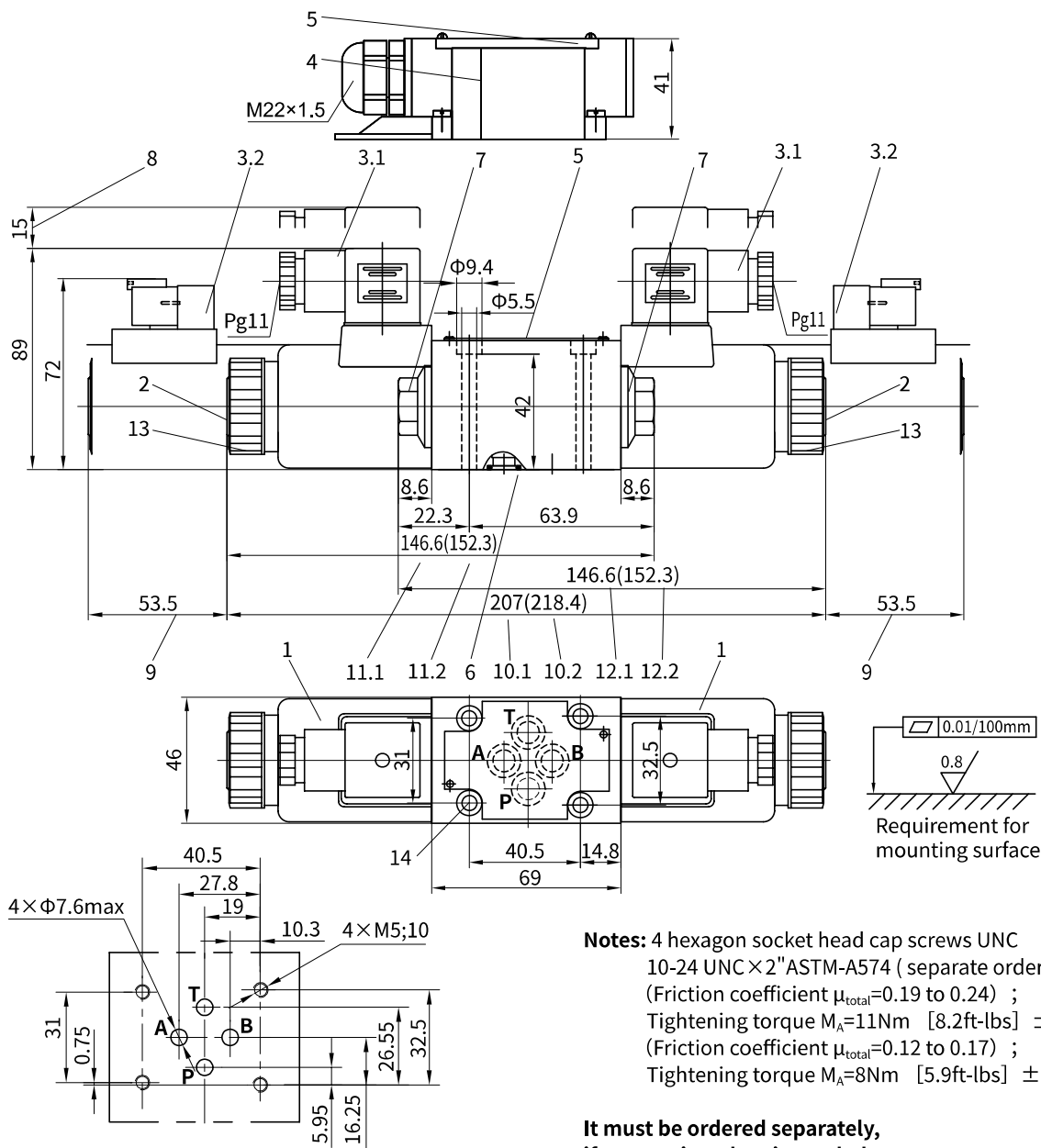
Solenoid AC	
Curve	Solenoid voltage
1 to 12, see 10 ₂₎	220

02

Unit dimensions

(Dimensions in mm)

Valve with DC or rectification AC solenoid



Notes: 4 hexagon socket head cap screws UNC 10-24 UNC×2"ASTM-A574 (separate order)
 (Friction coefficient $\mu_{total}=0.19$ to 0.24) ;
 Tightening torque $M_A=11Nm$ [8.2ft-lbs] $\pm 15\%$
 (Friction coefficient $\mu_{total}=0.12$ to 0.17) ;
 Tightening torque $M_A=8Nm$ [5.9ft-lbs] $\pm 10\%$

It must be ordered separately, if connection plate is needed.

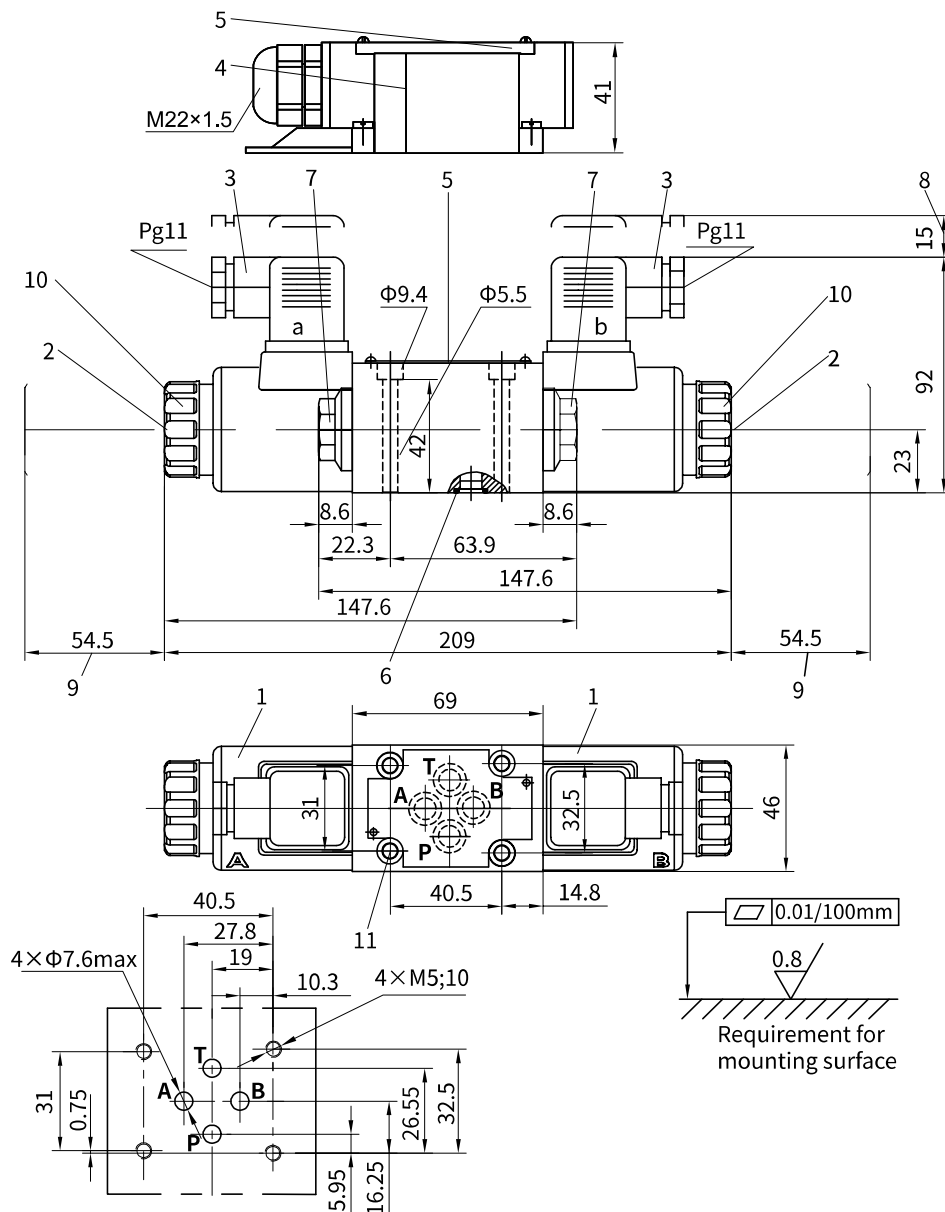
Type: G341/01(G1/4), G341/02 (M14×1.5)
 G342/01(G3/8), G342/02 (M18×1.5)
 G502/01(G1/2), G502/02 (M22×1.5)

- 1 Solenoid
- 2 Manual override button
- 3.1 Plug-in connector to DIN 43 650
- 3.2 Deutsch connector assembly
- 4 Junction box with lead and light, M22×1.5 interface
- 5 Nameplate
- 6 O-ring: 9.25×1.78
- 7 Plug screw for valves with one solenoid
- 8 Space screw required to remove connector
- 9 Space required to remove coil
- 10.1 Dimension of 3-position valves, standard version
- 10.2 Dimension of 3-position valves, large-scope Type of voltage
- 11.1 Dimension of 2-position valves with solenoid at 'A', standard version
- 11.2 Dimension of 2-position valves with solenoid at 'A', large-scope Type of voltage
- 12.1 Dimension of 2-position valves with solenoid at 'B', standard version
- 12.2 Dimension of 2-position valves with solenoid at 'B', large-scope Type of voltage
- 13 Securing nut, tightening torque $M_A=4Nm$
- 14 Valve fixing screws. Hexagon socket head cap screw M5×50 GB/T 70.1-10.9, Tightening torque $M_A=8.9Nm$

Unit dimensions

(Dimensions in mm)

Valve with AC solenoid



- 1 Solenoid
- 2 Manual override button
- 3 Plug-in connector to DIN 43 650 (rotatable 90°)
- 4 Junction box with lead and light, M22×1.5 interface
- 5 Nameplate
- 6 Seal rings 9.25×1.78
- 7 Plug screw for valves with one solenoid
- 8 Space required to remove connector
- 9 Space required to remove coil
- 10 Securing nut, tightening torque, $M_A = 4 \text{ Nm}$
- 11 Valve fixing screws. Hexagon socket head cap screw M5×50 GB/T 70.1-10.9, Tightening torque $M_A = 8.9 \text{ Nm}$

Notes: 4 hexagon socket head cap screws UNC 10-24 UNC×2" ASTM-A574 (separate order) (Friction coefficient $\mu_{\text{total}} = 0.19$ to 0.24) ; Tightening torque $M_A = 11 \text{ Nm}$ [8.2ft-lbs] ±15% (Friction coefficient $\mu_{\text{total}} = 0.12$ to 0.17) ; Tightening torque $M_A = 8 \text{ Nm}$ [5.9ft-lbs] ±10%

It must be ordered separately, if connection plate is needed.

Type:
 G341/01(G1/4), G341/02 (M14×1.5)
 G342/01(G3/8), G342/02 (M18×1.5)
 G502/01(G1/2), G502/02 (M22×1.5)

02