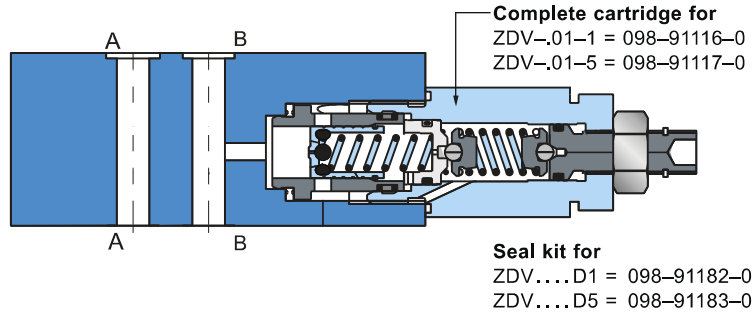


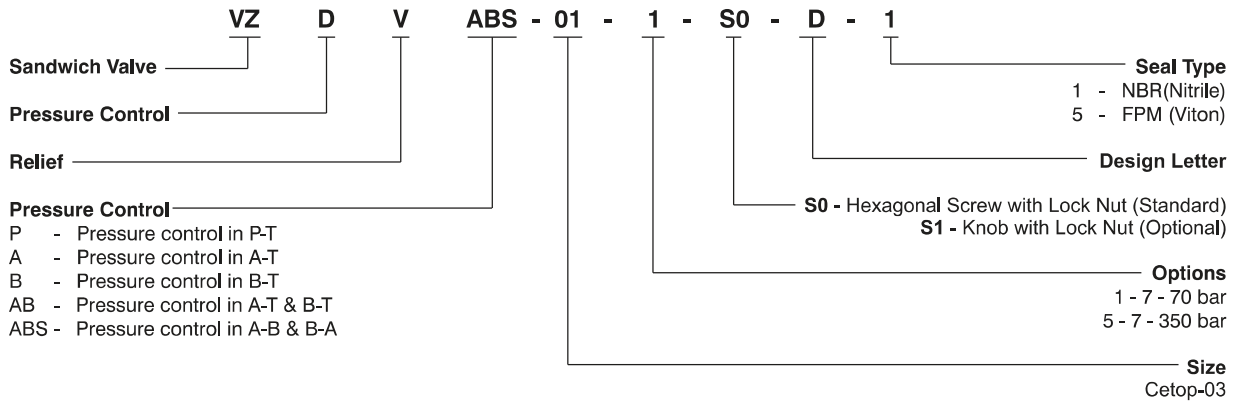
# PRESSURE RELIEF VALVE - ZDV



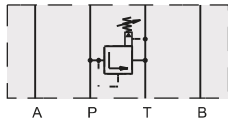
- Operating pressure range
  - ZDV-P / A / B / AB 7... 70/350 bar
  - ZDV-ABS 7... 70/315 bar
- Max. flow 80 l/min
- Viscosity range 10... 500 cSt
- Fluid temperature range -18... +60°C



## ORDERING CODE :

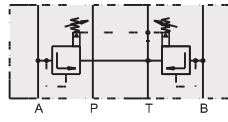


### Pressure control P-T



Model Code:	Order No.
ZDV-P01-1-S0-D1	098-91201-0
ZDV-P01-5-S0-D1	098-91202-0

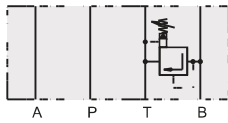
### Pressure control A-T & B-T



Model Code:	Order No.
ZDV-AB01-1-S0-D1	098-91207-0
ZDV-AB01-5-S0-D1	098-91208-0

1 = 7... 70 bar  
 5 = 7... 350 bar

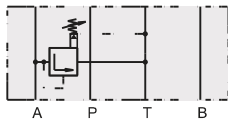
### Pressure control B-T



Model Code:	Order No.
ZDV-B01-1-S0-D1	098-91205-0
ZDV-B01-5-S0-D1	098-91206-0

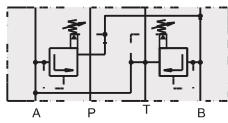
1 = 7... 70 bar  
 5 = 7... 350 bar

### Pressure control A-T



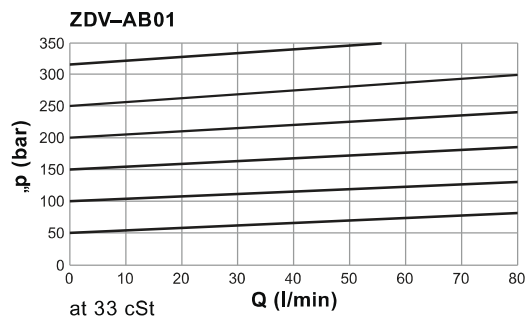
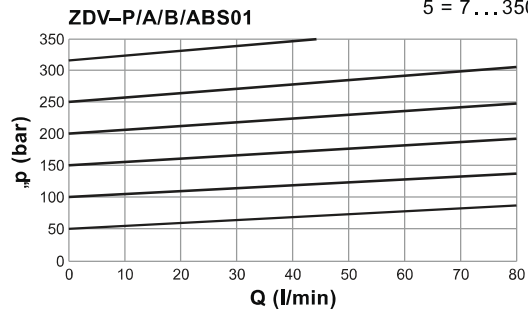
Model Code:	Order No.
ZDV-A01-1-S0-D1	098-91203-0
ZDV-A01-5-S0-D1	098-91204-0

### Pressure control A-B & B-A

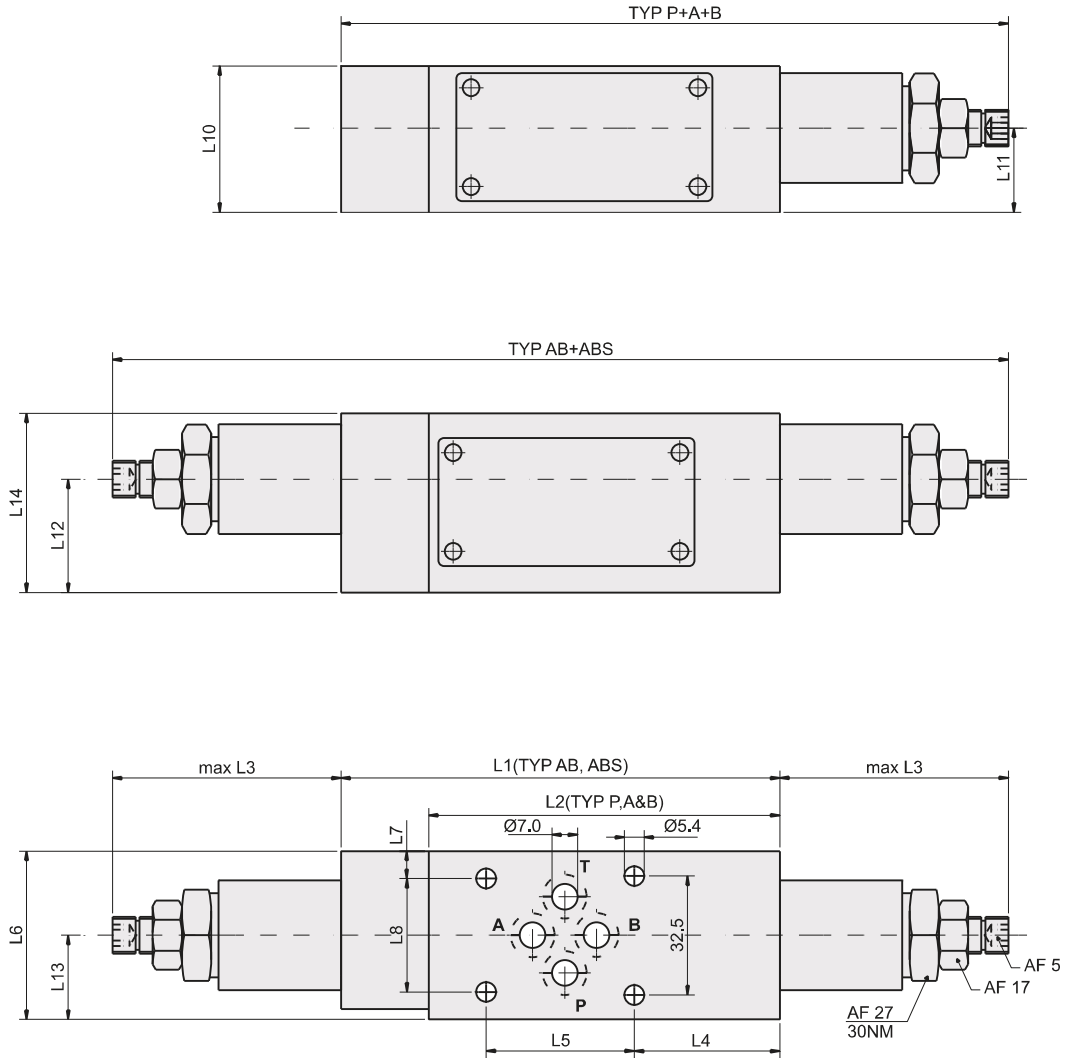


Model Code:	Order No.
ZDV-ABS01-1-S0-D1	098-91209-0
ZDV-ABS01-5-S0-D1	098-91210-0

1 = 7... 70 bar  
 5 = 7... 315 bar



**INSTALLATION - 1.6/2.5kg**



UNITS	L1	L2	L3	L4	L5	L6	L7	L8	L9	L10	L11	L12	L13	L14
mm	120.0	96.0	62.5	39.9	40.5	46.0	7.5	31.0	32.5	40.0	23.0	31.0	23.0	49.0
in	4.72	3.78	2.46	1.57	1.59	1.81	0.29	1.22	1.28	1.57	0.90	1.22	0.90	1.93

**SERVICE INFORMATION:**

MODEL CODE	SPARE PART NO.	DETAILS
VZDV-01-1	V098-91116-0	CARTRIDGE
VZDV-01-5	V098-91117-0	CARTRIDGE
VZDV.....D1	V098-91182-0	SEALKIT
VZDV.....D5	V098-91183-0	SEALKIT