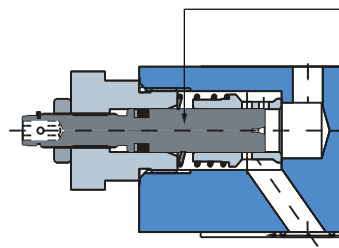


THROTTLE WITH CHECK - ZRD



- Max. operating pressure 350 bar
- Max. flow 80 l/min
- Viscosity range 10 ... 500 cSt
- Fluid temperature range -18 ... +60hC

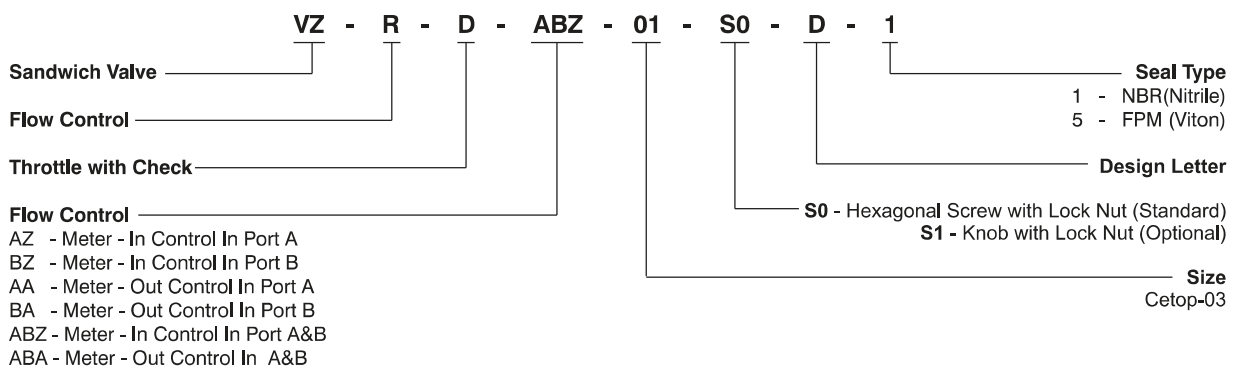


Complete cartridge for
ZRD-.01-1 = 098-91119-0

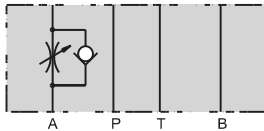
Seal kit for:
ZRD01 ... D1 = 098-91096-0
ZRD01 ... D5 = 098-91097-0

O-Ring Plate
S26-27553-0

ORDERING CODE :

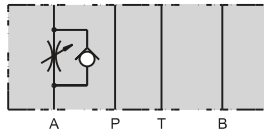


METER - IN CONTROL IN PORT A



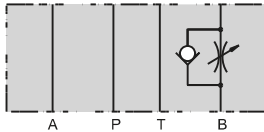
Series: ZRD-AZ01-S0-D1
 Order No. 098-91056-0

METER - OUT CONTROL IN PORT A



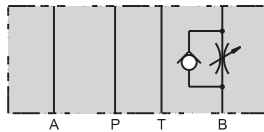
Series: ZRD-AA01-S0-D1
 Order No. 098-91012-0

METER - IN CONTROL IN PORT B



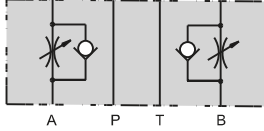
Series: ZRD-BZ01-S0-D1
 Order No. 098-91057-0

METER - OUT CONTROL IN PORT B



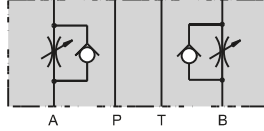
Series: ZRD-BA01-S0-D1
 Order No. 098-91013-0

METER - IN CONTROL IN PORT A&B

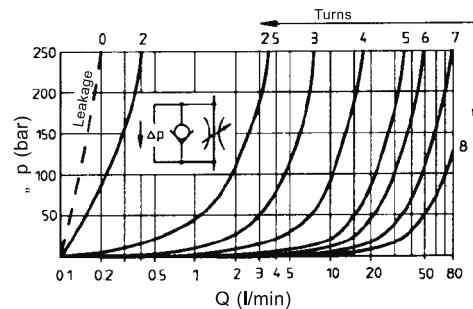
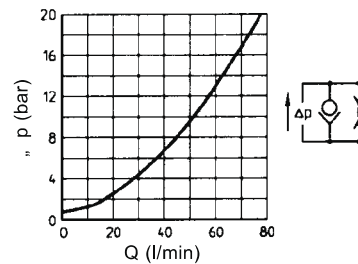


Series: ZRD-ABZ01-S0-D1
 Order No. 098-91058-0

METER - OUT CONTROL IN A&B



Series: ZRD-ABA01-S0-D1
 Order No. 098-91014-0



at 33 cSt

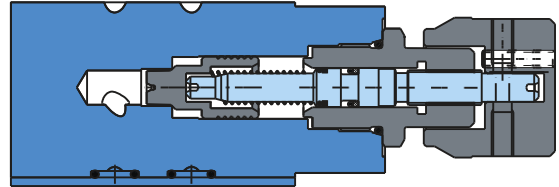
THROTTLE VALVE - ZRVD



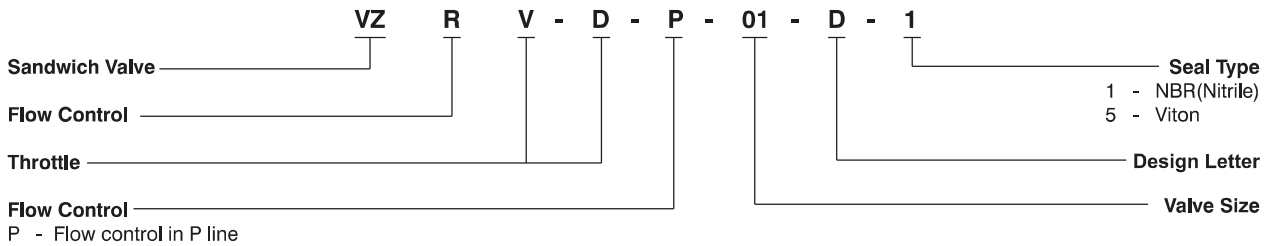
VZRVD Veljan Denison check and throttle modular valves are reliable in controlling the fluid flow. VZRVD valves are equipped with an adjusting knob (clockwise or anti-clockwise) to set the throttling area, for adjusting the flow rate of the process fluid.

OPERATING CHARACTERISTICS:

- Type : Throttle with inline check
- Design : Direct acting, Spool type
- Maximum operating pressure : 250 bar
- Maximum flow rate : 35 lpm
- Weight : 1.2 kgs



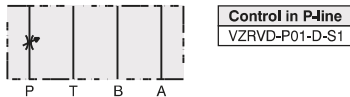
ORDERING CODE :



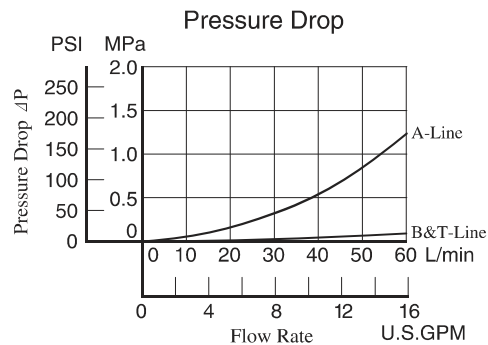
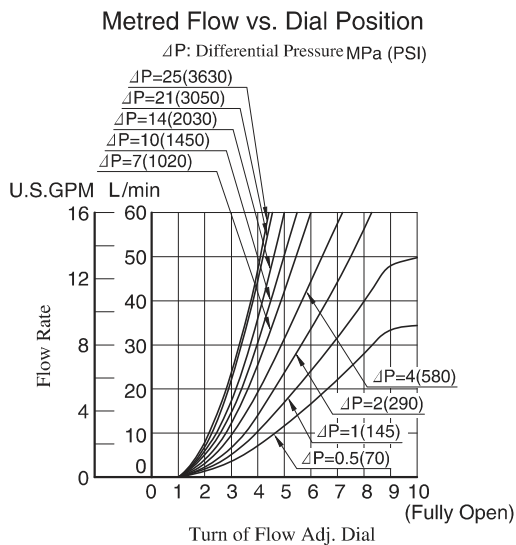
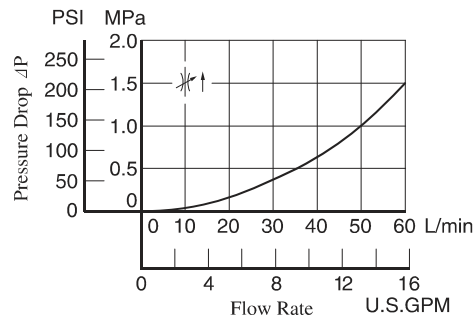
Typical Performance Characteristics

Hydraulic Fluid: Viscosity 35 mm²/s (164 SSU), Specific Gravity 0.850

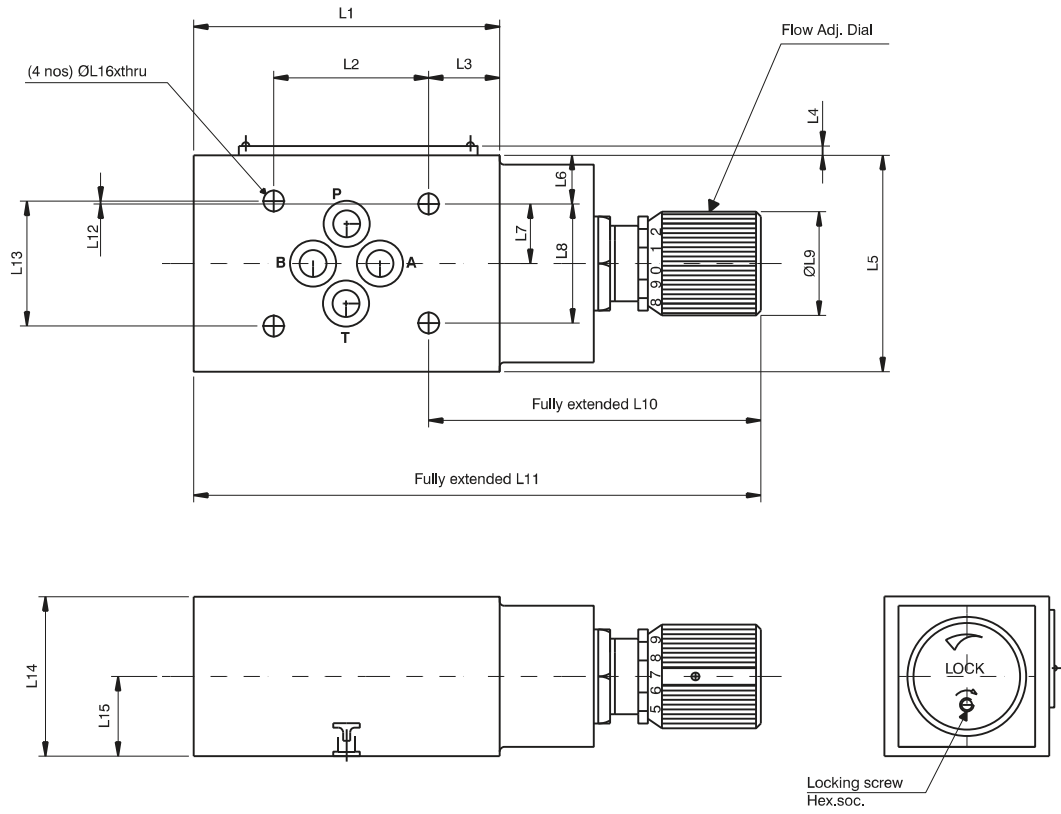
Graphical Symbol



Pressure Drop at Throttle Fully Open



INSTALLATION



INSTRUCTIONS:

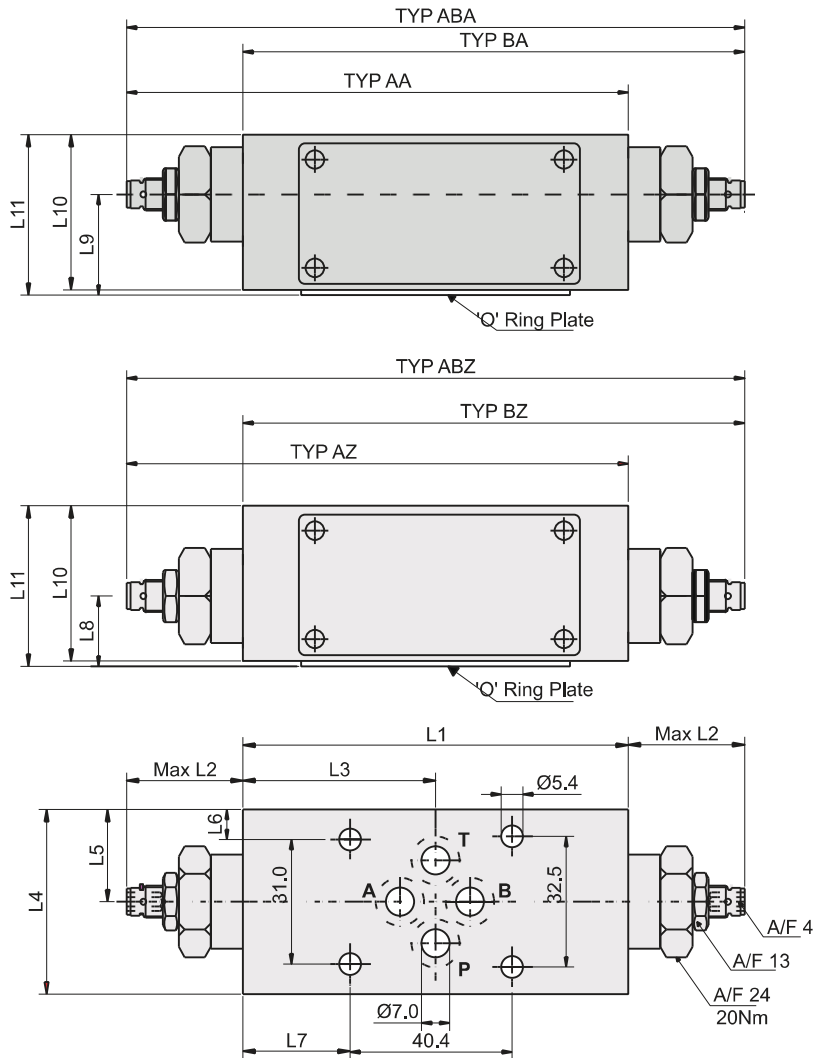
To make flow rate adjustment, loosen the lock nut for the dial and turn the flow adjustment dial clockwise or anti-clockwise. For a decrease of flow, turn the dial clockwise. Make sure to re-tighten the lock nut firmly after adjustment of flow rate.

UNITS	L1	L2	L3	L4	L5	L6	L7	L8	L9	L10	L11	L12	L13	L14	L15	L16
mm	65.0	40.5	11.0	1.8	47.0	8.0	15.5	31.0	32.0	77.5	131.5	0.75	32.5	40.0	20.5	5.5
in	2.56	1.59	0.43	0.07	1.85	0.31	0.61	1.22	1.26	3.05	5.18	0.03	1.28	1.57	0.81	0.22

SERVICE INFORMATION:

MODEL CODE	SPARE PART NO.	DETAILS
VZRVD-03	VC-S14-73401	SEALKIT_NBR
VZRVD-03	VC-S14-73402	SEALKIT_VITON

INSTALLATION - 1.2/1.3kg



UNITS	L1	L2	L3	L4	L5	L6	L7	L8	L9	L10	L11
mm	96.0	29.0	48.0	46.0	23.0	7.5	26.7	17.5	25.1	38.8	40.0
in	3.779	1.14	1.89	1.81	0.905	0.29	28.61	0.69	0.99	1.53	1.57

SERVICE INFORMATION:

MODEL CODE	SPARE PART NO.	DETAILS
VZRD-01	V098-91119-0	CARTRIDGE
VZRD01.....D1	V098-91096-0	SEALKIT
VZRD01.....D5	V098-91097-0	SEALKIT
VZRD-S	VS26-27553-0	O-RING PLATE