

**Characteristics**

**Pilot-Operated Check Valve  
Series CPOM**

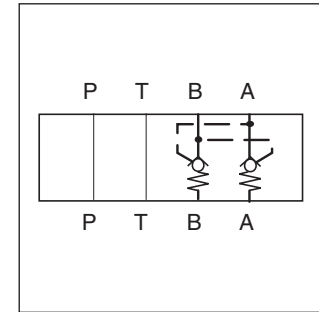
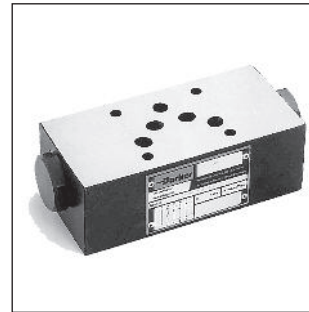
Pilot-operated check valves from the Parker Manapak series CPOM are sandwich plate valves designed for stacking beneath a directional valve with a standardised mounting pattern. Depending on the function required, one or two pilot-operated check valves are arranged in the ports A and/or B. The free flow direction is always from the valve side to the manifold side.

**Function**

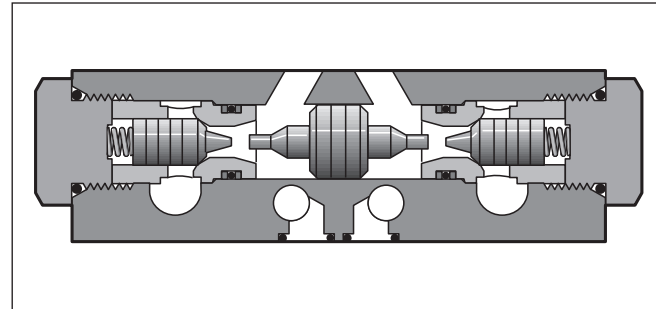
The check valves open when flowing to the consumer side, where the opposing check valve is hydraulically-mechanically pilot-operated simultaneously by a control spool, and thus the return flow is enabled from other consumer sides.

**Features**

- The valve bodies of the Parker Manapak valve series CPOM are made of steel.
- The valve poppet is precisely guided into the steel sleeve and ensures a good seal on the seat. This metallic sealing configuration is subject to the criteria as a result of metallic line contact and operational wear.
- When the valve poppet is open, the large cross-section allows high flow rates at low differential pressure.
- Different control ratios can be chosen with the NG6 and NG10 valves.



CPOM3

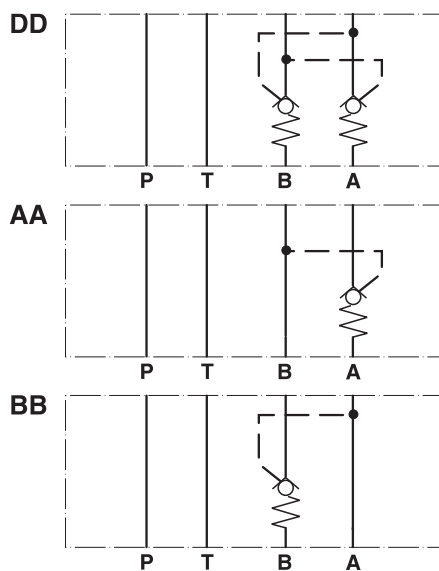


**Characteristics**

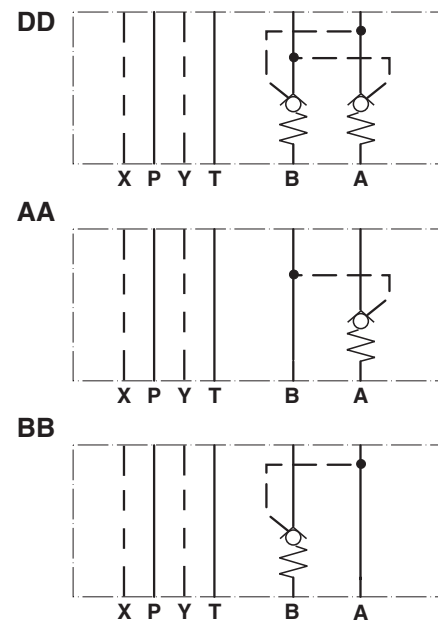
Port size	DIN	NG6	NG10	NG16	NG25
Mounting pattern	ISO 4401				
Series		<b>CPOM2</b>	<b>CPOM3</b>	<b>CPOM4</b>	<b>CPOM6</b>
Working pressure		350 bar	350 bar	350 bar	210 bar
Opening pressure		1.0 bar	0.8 bar	0.5 bar	0.4 bar
Control ratio		1 : 3 or 1 : 7	1 : 3 or 1 : 6.5	1 : 2.4	1 : 3
Weight [kg]		1.8	4.0	7.4	9.5

**7**

**CPOM2 / CPOM3**



**CPOM4 / CPOM6**

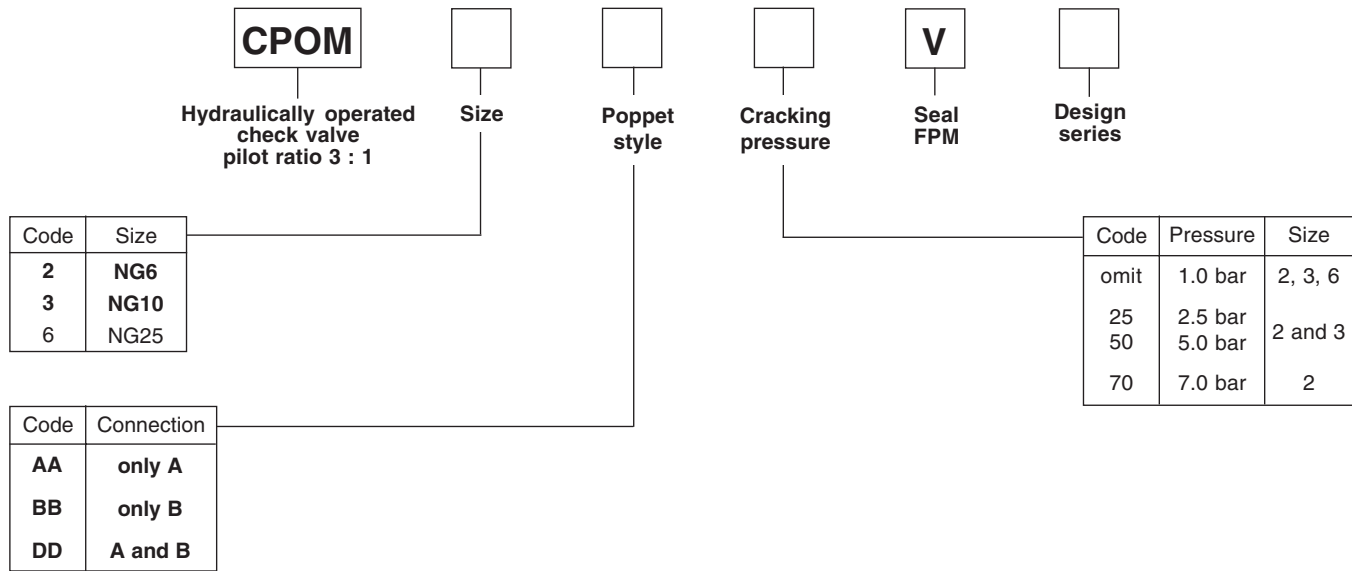


CPOM.PMD CM

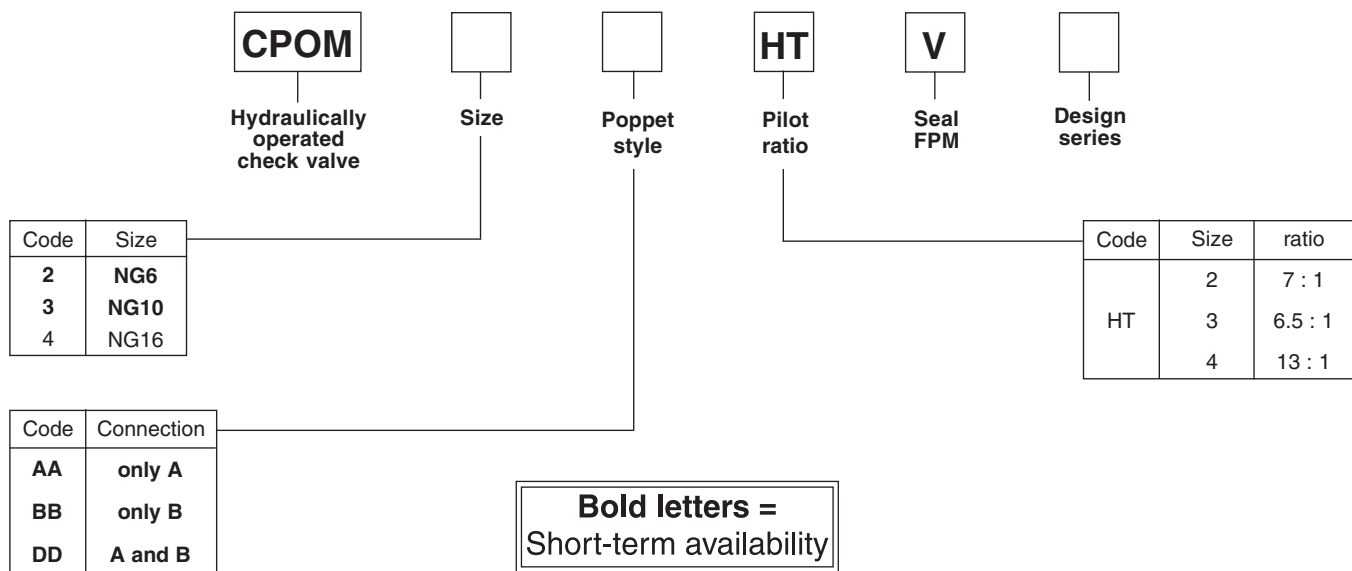


**Ordering Code**

**Without pre-opening**

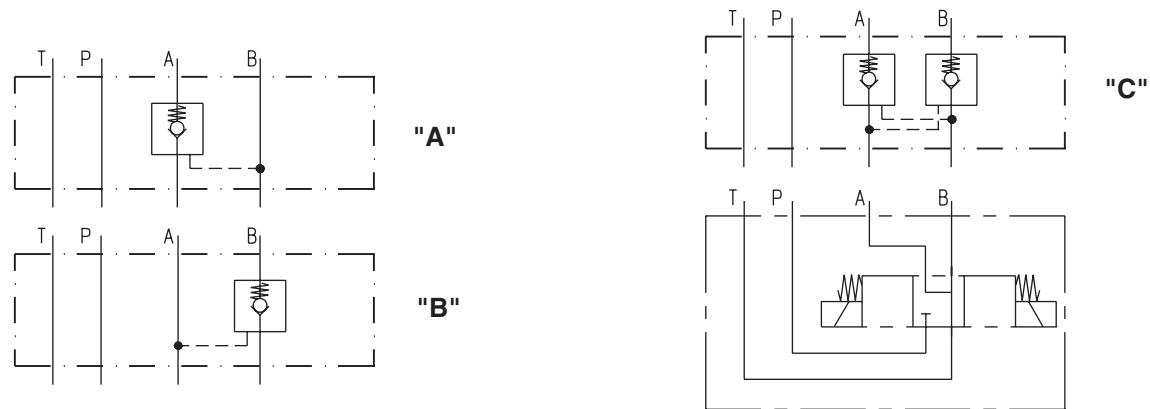


**With pre-opening**



**7**

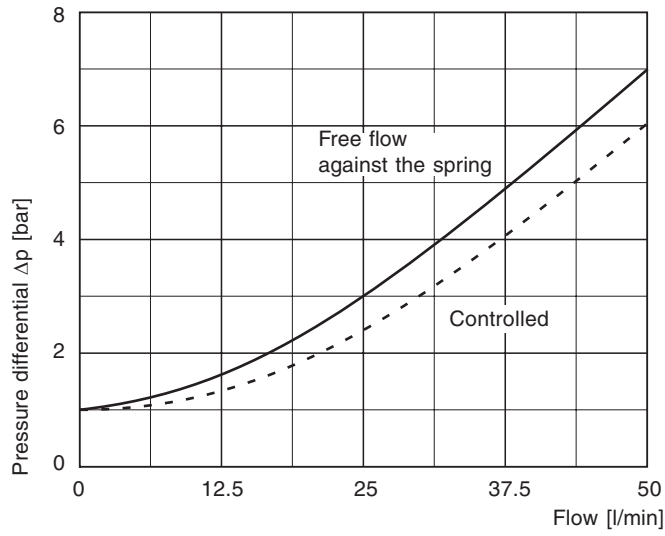
**Switch code**



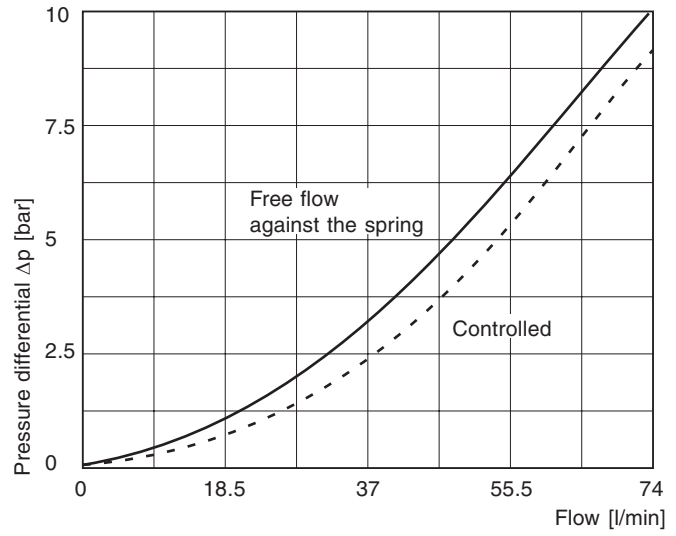
CPOM.PMD CM

**$\Delta p/Q$  performance curves**

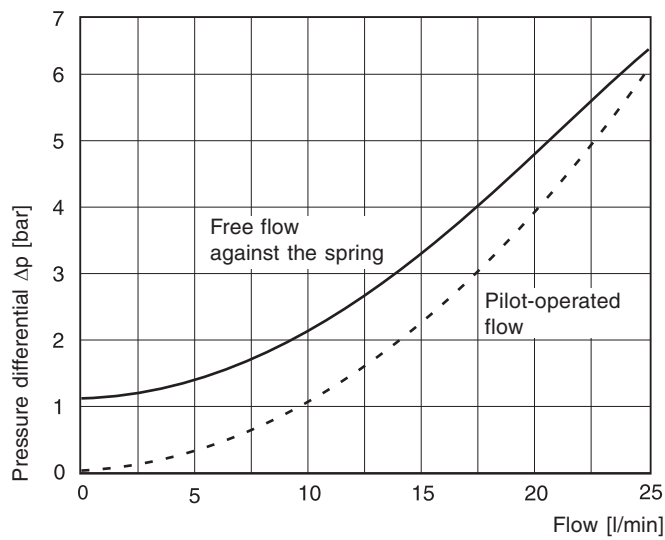
**CPOM2**



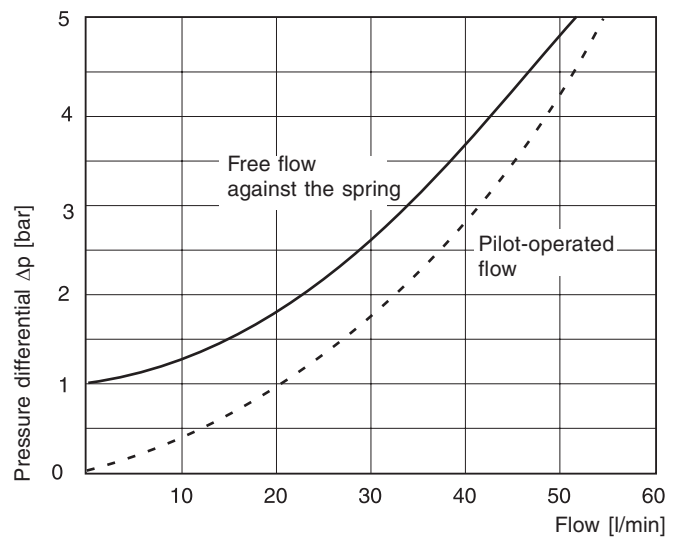
**CPOM3**



**CPOM2 (type HT)**



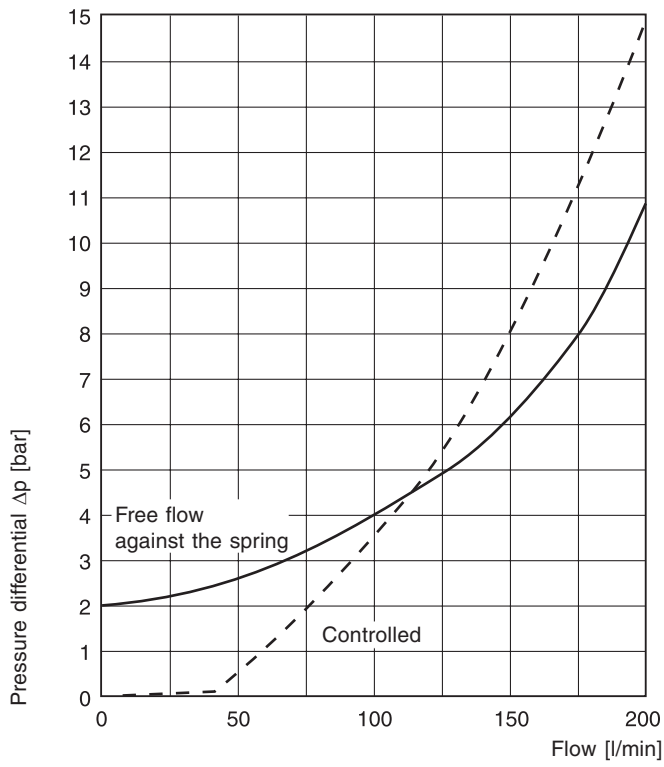
**CPOM3 (type HT)**



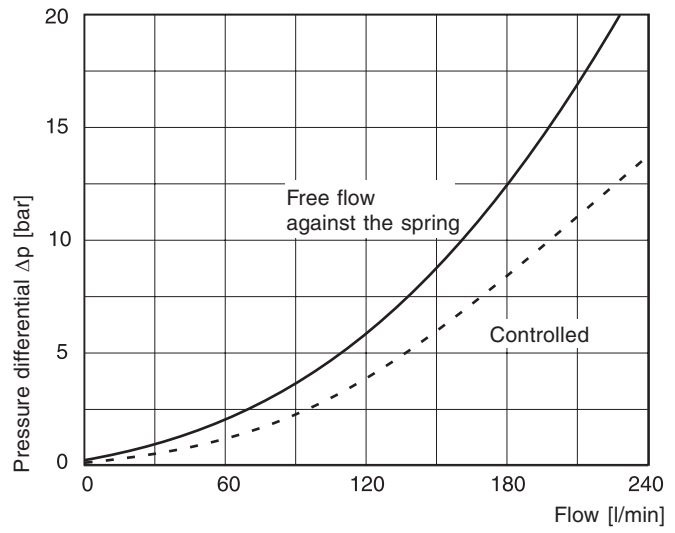
**7**

**$\Delta p/Q$  performance curves**

**CPOM4 (type HT)**



**CPOM6**



7

**Dimensions**

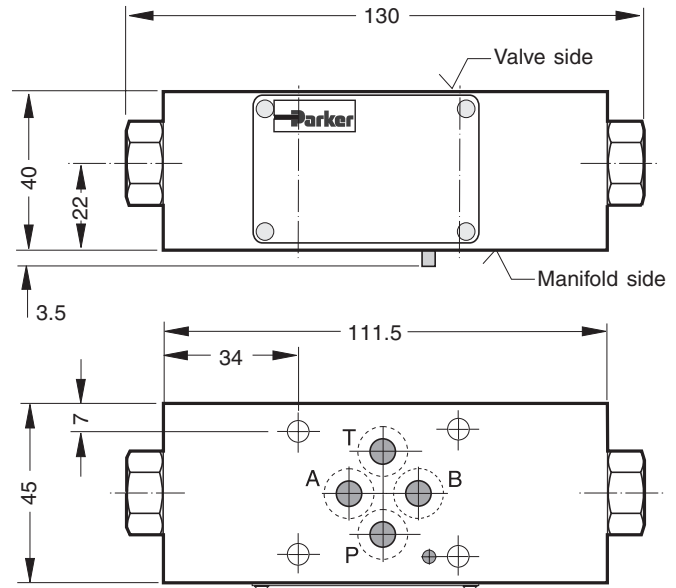
**Pilot-Operated Check Valve  
Series CPOM**

**CPOM2**

**Note:**

The O-rings for sealing the connecting surface of the manifold side are included. The O-rings and positioning pins are always mounted on the manifold side.

Seal kit CPOM2		
Control ratio	Seal	Order code
HT	V	SK-CPOM2-V-11

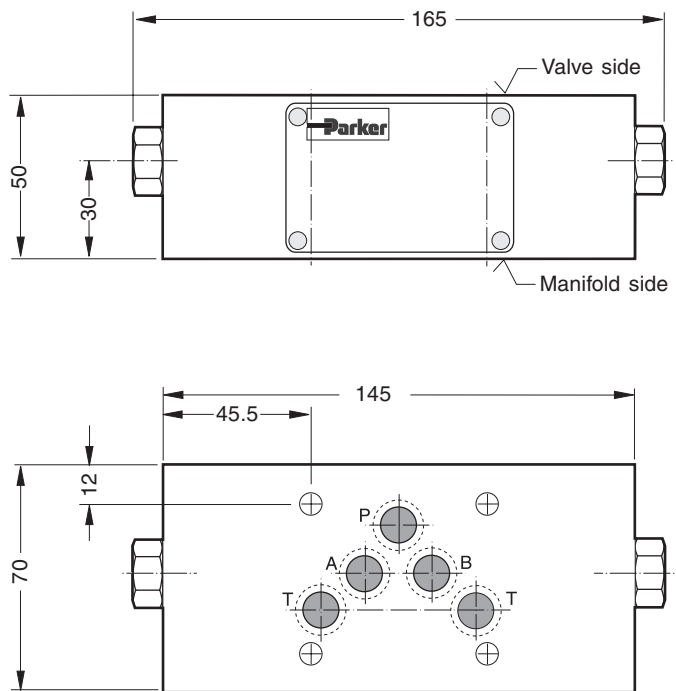


**CPOM3**

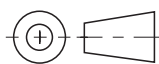
**Note:**

The O-rings for sealing the connecting surface of the manifold side are included. The O-rings and positioning pins are always mounted on the manifold side.

Seal kit CPOM3	
Seal	Order code
V	SK-CPOM3-V-11



**7**

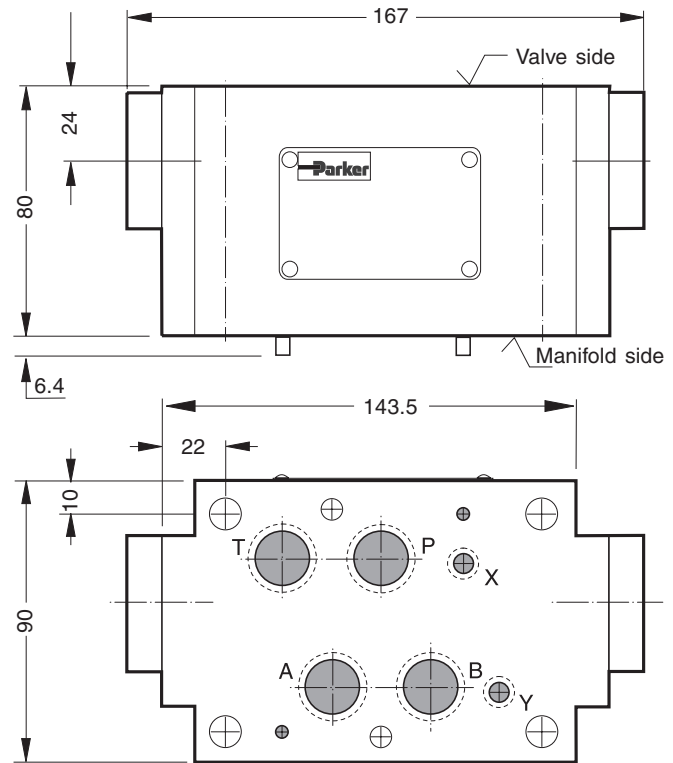


**Dimensions**

**CPOM4**

**Note:**

The O-rings for sealing the connecting surface of the manifold side are included. The O-rings and positioning pins are always mounted on the manifold side.



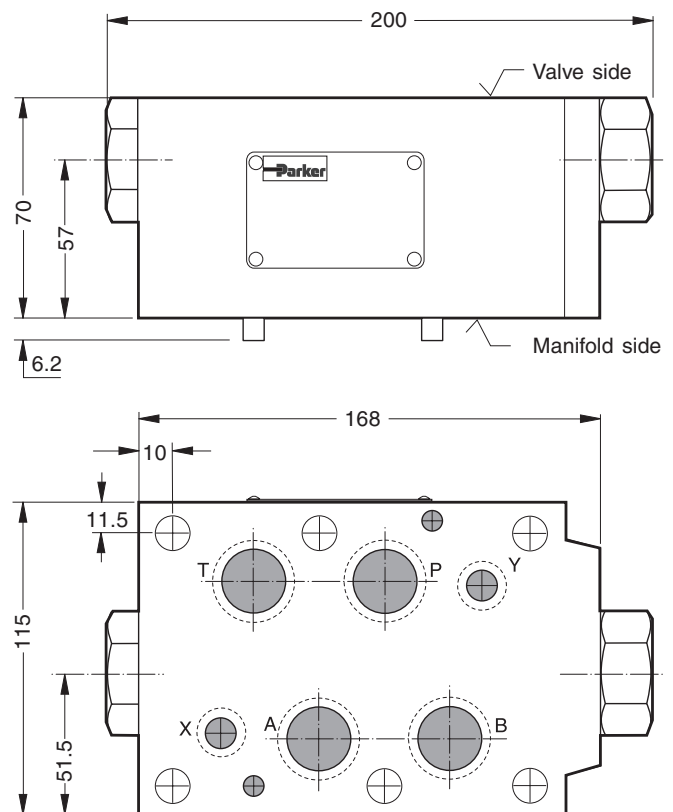
Seal kit CPOM4	
Seal	Order code
V	SK-CPOM4HTV

**CPOM6**

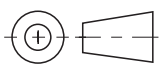
**Note:**

7

The O-rings for sealing the connecting surface of the manifold side are included. The O-rings and positioning pins are always mounted on the manifold side.



Seal kit CPOM6	
Seal	Order code
V	SK-CPOM6-V-20



CPOM.PMD CM

